

# Installation Instructions



PolyPro Single-Wall Gas Vent  
System for Category II & IV  
Gas-Burning Appliances

# POLYPRO<sup>®</sup>

**A MAJOR CAUSE OF VENT RELATED FIRES IS FAILURE TO MAINTAIN REQUIRED CLEARANCES (AIR SPACES) TO COMBUSTIBLE MATERIALS. IT IS OF THE UTMOST IMPORTANCE THAT POLYPRO® BE INSTALLED ONLY IN ACCORDANCE WITH THESE INSTRUCTIONS.**

**! WARNING**

**CARBON MONOXIDE POISONING HAZARD. Failure to follow the steps outlined below for each appliance connected to the venting system being placed into operation could result in carbon monoxide poisoning or death.**

**! WARNING**

**Risk of carbon monoxide poisoning or fire due to joint separation or pipe breakage.**

- Examine all components for possible shipping damage prior to installation
- Proper joint construction is essential for a safe installation. Follow these instructions exactly as written.
- This venting system must be free to expand and contract.
- This venting system must be supported in accordance with these instructions.
- Check for proper joint construction when joining pipe to fittings.
- Check for unrestricted vent movement through, walls, ceilings, and roof penetrations.
- Different manufacturers have different joint systems and adhesives. Do not mix pipe, fittings or joining methods from different manufacturers.

**! IMPORTANT**

Read through all of these instructions before beginning your installation. Failure to install this product as described in these instructions will void the manufacturer's warranty, may create a fire or other safety hazard, and may affect your homeowner's insurance and safety listing of your appliance.

**Keep these instructions for future reference.**

***Dear Customer, Installer, or End User:***

We welcome any comments regarding matters pertaining to our DuraVent products. We welcome any ideas, input or complaints to help improve our product offering. Send your emails to:  
[president@duravent.com](mailto:president@duravent.com)

If you are searching for tech support or product information, please phone us at 800-835-4429. Or email us at:  
[techsupport@duravent.com](mailto:techsupport@duravent.com)

PolyPro® is one of M&G DuraVent's GreenVent® line of products.



# PolyPro Single-Wall Gas Vent System

For the most up-to-date installation instructions, see [www.duravent.com](http://www.duravent.com)

## CONTENTS

APPLICATION.....	4
CLEARANCES .....	4
PERMITS .....	4
EQUIPMENT AND MATERIALS.....	4
GENERAL INSTALLATION NOTES.....	4
JOINT CONNECTIONS.....	6
INSTALLATION .....	8
HORIZONTAL TERMINATIONS .....	9
ELBOW OR TEE TERMINATIONS .....	13
VERTICAL TERMINATIONS .....	13
CONDENSATE DRAIN .....	15
MAINTENANCE .....	15
WARRANTY.....	16

POLYPRO<sup>®</sup>

## APPLICATION

M&G DuraVent's PolyPro vent pipe is a single-wall polypropylene gas vent for use with ANSI Category II and IV gas-burning appliances. PolyPro is listed by Intertek to the ULC S636 standard in Canada and is rated as a Class IIA, IIB, and IIC vent system suitable for exhaust temperatures up to 230°F (110 °C), and a maximum positive pressure of 15 in-w.c. Check with your appliance manufacturer or look in the appliance installation instructions to verify that M&G DuraVent's PolyPro Vent is allowed for use with your appliance. PolyPro is approved by the Massachusetts Plumbers Board, Approval G1-0811-42.

## CLEARANCES

PolyPro single-wall vent system is listed at 0" clearance to combustibles for exhaust temperatures up to 194°F (90 °C). In addition, PolyPro single-wall vent system is listed for exhaust temperatures up to 230°F (110°C) with 0" clearance for vertical vent installations, and 1/4" (6mm) clearance for horizontal vent installations. PolyPro Concentric vent system parts, including the concentric Horizontal Termination and the Vertical Termination, are listed at 0" clearance to combustibles for exhaust temperatures up to 230°F (110 °C) for both vertical and horizontal installations. Refer to **Table 1**. Check with your appliance manufacturer if larger clearances are required. Do not fill any air space clearances with insulation.

**Table 1**

### Clearance to Combustibles

	VENT PIPE ORIENTATION	
	Vertical	Horizontal
Single Wall		
Up to 190°F	0"	0"
Up to 230°F	0"	¼" (6mm)
Concentric		
Up to 230°F	0"	0"

## PERMITS

Before installation, check with your local Building Official, Fire Official, or other authority having jurisdiction regarding permits, restrictions, and installation inspections in your area.

## EQUIPMENT AND MATERIALS

Hammer  
Drill  
Pliers or Channel Locks  
Caulking Gun  
Plumb Bob  
Screwdrivers (Phillips & Standard)  
Tin Snips  
Saber or Keyhole Saw  
Level  
Dependable Ladder  
Tape Measure  
Proper Gloves and Shoes  
Eye Protection

### Materials You May Need:

500 RTV Silicone Sealant (used to seal exterior building penetrations to protect against weather)  
8 Penny Nails  
#8, 1-1/2" Wood Screws  
Roofing Nails

## GENERAL INSTALLATION NOTES

Read through these installation instructions before beginning your installation. A properly listed installation is dependent upon installing the vent in full compliance with these installation instructions. Proper planning for your PolyPro vent system installation will result in greater safety, efficiency, and convenience, as well as saving time and money. You must use only authorized M&G DuraVent PolyPro vent parts, or other parts specifically authorized in these instructions and listed by the appliance manufacturer in order to maintain a safe, approved system. Do not mix parts or try to match with other products or use

improvised solutions. Do not install damaged or modified parts. Do not use any solvents or adhesives with PolyPro pipe, other than as specified in these instructions. Practice good workmanship. Sloppy work could jeopardize your vent's safety. Keep electrical wiring and building insulation away from all chimneys and vents. When deciding the location of your installation, try to avoid modifications to structural components of the building. If these directions and those of the appliance manufacturer differ, follow the more conservative requirements. If you have any questions, contact either your dealer or M&G DuraVent directly.

Refer to the appliance manufacturer for the maximum and minimum allowed vent runs for your specific appliance model, including maximum number elbows allowed in the system, and for the pressure drops and equivalent length of the fittings. The total vent length from the appliance to the termination shall not be greater than what is specified by the appliance manufacturer. Absent specific equivalent length info for vent fittings from the appliance manufacturer, the following general guidelines can be used:

Equivalent Length Chart	
Component	Equivalent Length
1-ft Vent Pipe	1-ft
1-ft Flex Pipe	2-ft (same diameter as rigid)
1-ft Flex Pipe	0.6-ft (upsized one diameter)
45 Elbow	3-ft
90 Elbow	6-ft
Tee	6-ft

**Plan the layout of the vent system:**

Consider the length of horizontal runs, elbows, clearance requirements, and location of terminations.

**! IMPORTANT**

**To prevent possible recirculation of flue gas, the installer must take into account the effects such as the prevailing wind conditions, any eddy zones, environmental conditions, etc. when planning both the exhaust and air supply systems.**

**M&G DuraVent can not be held responsible for potential detrimental effects on appliance operation or to the building due to incorrect installation or failure to plan for the specifics needs of the installation. The clearances detailed or illustrated should be seen as the absolute minimum and may in some circumstances not be adequate for specific installations. For this reason we always recommend vertical venting.**

For horizontal vent runs, always maintain at least a 5/8" rise per foot (50mm rise per 1m) away from the appliance to prevent collection of condensate or buildup of heat in the vent.

Consider condensate drainage. Refer to the appliance manufacturer's installation instructions for requirements of condensate drainage.

**! IMPORTANT**

**The vent system must terminate in accordance with local code requirements and appropriate National Codes:**  
**In the US: NFPA 54 / ANSI Z223.1 National Fuel Gas Code or the International Fuel Gas Code.**  
**In Canada: CAN/CGA-B149.1 Natural Gas Installation Code or CAN/CGA-149.2 Propane Installation Code.**

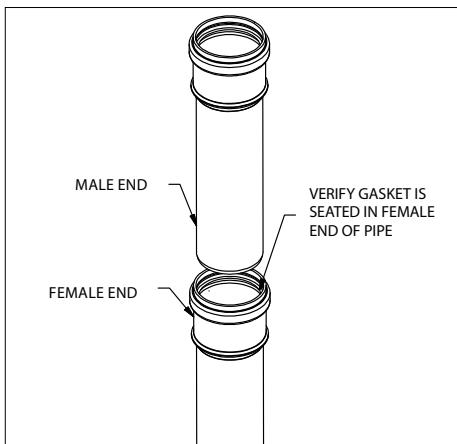
Normal operation of gas burning appliances does not result in deposits of combustible soot in venting systems. However, a poorly

adjusted or malfunctioning appliance can deposit soot and other debris which can enter the vent system. Any such accumulation should be removed and the appliances adjusted to eliminate future accumulation. Use only a soft brush for cleaning the sections and fittings. If any leakage is found at joints the connected appliances should be turned off and the leaks repaired. A venting system must not be routed into, through, or within any other vent, such as an existing masonry or factory-built chimney flue, unless that vent or chimney is not being used to vent another appliance and is only used as a conduit for the gas-vent system.

Plastic venting systems shall not pass through fire rated separations.

### JOINT CONNECTIONS

M&G DuraVent's PolyPro vent is connected together by slipping the male pipe end into the female end (**Figure 1**) with about 2" (50mm) of overlap. PolyPro vent products have gaskets installed in the female pipe ends. Before connecting the vent pipe sections or components, verify the gasket is seated evenly inside the groove in the female end. The PolyPro joint section can



**Figure 1**

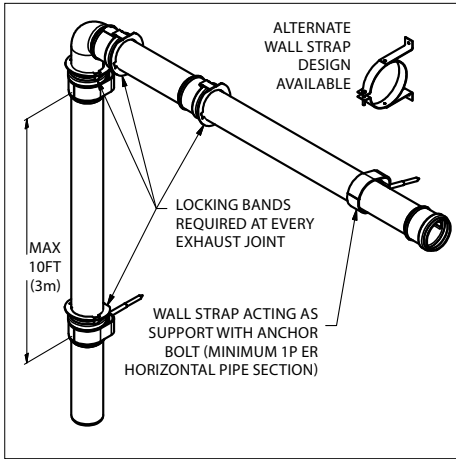
rotate 360-degrees to allow elbows to point in the desired direction. The PolyPro vent pipe lengths may be cut to achieve specific lengths. Alternatively, an Adjustable Pipe

**! WARNING**  
**CARBON MONOXIDE POISONING HAZARD. FAILURE TO FOLLOW THESE INSTALLATION INSTRUCTIONS COULD RESULT IN PERSONAL INJURY OR DEATH.**

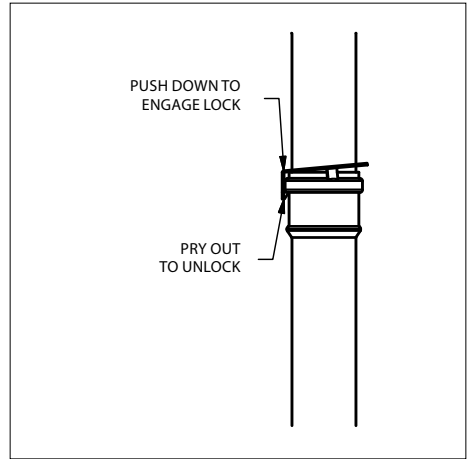
length that slips into the previous vent pipe section is also available. **Screws are not allowed for joint connection. Never penetrate the wall of PolyPro vent pipe sections.**

A Locking Band is required at every exhaust vent joint, and optional for the air inlet vent joints. To attach the Locking Band, slide it over the male end of the pipe with the hook and leg facing the joint. Push the male and female ends together as described in these instructions, and snap the hook in place over the flared female end. To release the Locking Band, pry the hook up. If the Locking Band is installed at a joint where the Wall Strap is used, align the Locking Band's hook with the gap of the Wall Strap. The Locking Band meets ULC S636 requirements for securing the joint. In addition, supporting Wall Straps are required at least every 10 feet (3 meters) for vertical vent pipe sections, and horizontal or sloped sections of vent pipe require one supporting Wall Strap for each pipe section. (**Figure 2**).

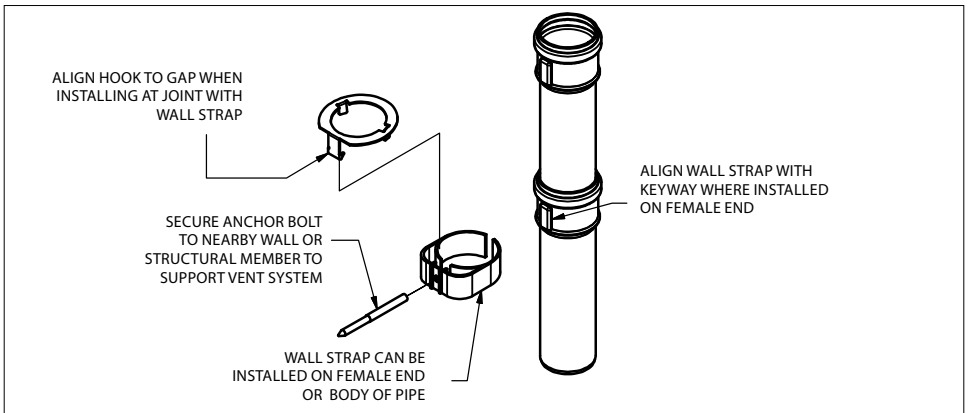
There are two options for Wall Straps: the polypropylene snap-clamp style, and the metal bolt-clamp style. (**Figure 2, 3A & 3B**) Both options are approved and listed for use with PolyPro. The polypropylene Wall Strap can be attached at either the female end of the pipe or on the body of the vent pipe. Determine the location where the Wall Strap's anchor bolt will mount into the wall



**Figure 2**



**Figure 3A**



**Figure 3B**

or framing member. Mount the anchor bolt into the wall at that location. Install the body of the Wall Strap onto the anchor bolt by rotating the body of the Wall Strap with the encapsulated nut, onto the threads of the anchor bolt. Do not over tighten. When the PolyPro vent is in place, secure the Wall Strap around the vent pipe by closing the clamp.

The metal Wall Strap can only be mounted on the body of the vent pipe. Slide the metal Wall Strap around the body of the PolyPro

vent pipe, or open the clamp to wrap around the pipe. When the vent pipe is in place, secure the metal Wall Strap to the nearby

**⚠ CAUTION**

**Caution: Do not use grease or other lubricant on the vent seals. Only water may be used for this purpose. Grease or other lubricant can make the seal brittle or it can result in tears in the surface of the seal, this will result in flue gas leakage.**

wall or structural member using (2) 1-1/2" #8 wood screws or equivalent. Secure the Wall Strap around the vent pipe by tightening the nut and bolt of the clamp.

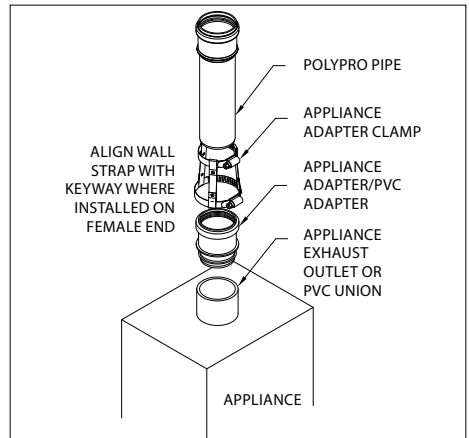
## INSTALLATION

**1.** Connect PolyPro vent pipe to the appliance. Use the Appliance Adapter/ PVC Adapter and Clamp to connect PolyPro vent to the appliance. Slide the male end of the Appliance Adapter into the appliance outlet. Place the Appliance Adapter Clamp over the Appliance Adapter and then slide the male end of the PolyPro vent pipe into the Appliance Adapter. Tighten both hose clamps on the Appliance Adapter Clamp to ensure the connection is secure (**Figure 4**).

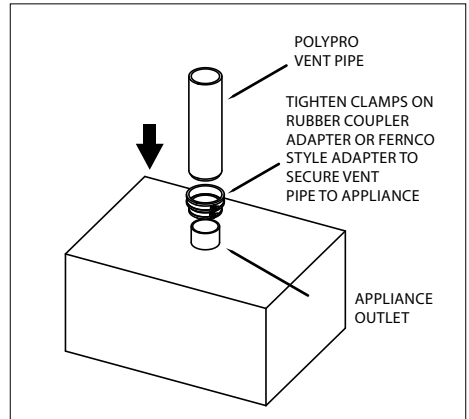
If the appliance has a rubber boot or Fernco-style appliance adapter on its outlet, then the PolyPro vent pipe may attach directly to the rubber coupler adapter or Fernco adapter without needing the Appliance Adapter, by tightening the clamping bands (**Figure 4A**). Additionally, the Appliance Adapter/ PVC Adapter can be used to transition from PVC vent pipe to PolyPro, if needed. Install the vent pipe system with the female end (with the internal gasket) up, away from the appliance. The Appliance Adapter is designed to provide a drip-free connection for most appliance outlets. If the appliance has a PVC union for its outlet, the Appliance Adapter also functions as a PVC Adapter to transition from PVC to PolyPro pipe (**Figure 4**). The PVC Adapter requires a standard PVC union to make the transition to PolyPro pipe; if a straight length of PVC pipe is on the appliance outlet, add a PVC union before connecting the Appliance Adapter. Secure the connection by tightening the hose clamps on the Appliance Adapter Clamp.

**2.** Check that the gasket is retained correctly in the groove.

**3.** Add additional sections of PolyPro vent



**Figure 4**



**Figure 4A**

pipe for your installation. Be sure to check with your appliance manufacturer for any restrictions or limits on vent length, number of elbows, etc.

**4.** If PolyPro vent pipe needs to be cut, be sure that the vent is cut square (not at an angle) to the end of the pipe and that burrs are removed before assembly.

**5.** Take precautions with horizontal installation, the slope of the vent pipe must



be at least 5/8" rise per foot (50mm rise per 1m) away from the appliance, (**Figure 5**).

**6.** For each vent joint, a Locking Band is needed. Refer to the Joint Connection section above. Additionally, Wall Straps are required to support the overall vent run. To support the vent run, mount Wall Straps on a nearby wall or other fixed structure of the building:

**6a.** Straight vent sections that are installed vertical must be supported with Wall Straps every 10 feet (3 meters) or less, (**Figure 2**).

**6b.** Straight vent sections installed with a slope must be supported with at least one bracket per section.

**6c.** Elbows and Tees are sufficiently supported when a bracket is fixed at the female end of the connected straight section as described in **6b**.

**7.** To make installation easier, it is recommended to rotate the joints slightly when assembling them. If needed, only use water to lubricate the gaskets for easier assembling.

**8.** Make sure that the load of the vent system is not supported by the appliance.

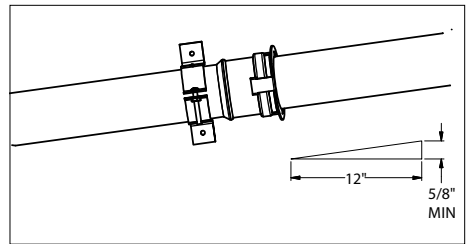
**9.** Because of the elongation at high exhaust temperatures the pipes must be inserted and joined according to **Figure 6**. The allowed length of elongation must be between 1/4" and 5/8" (7.5 - 15 mm) per joint.

**10.** Continue with either the Horizontal Termination Section or the Vertical Termination section, depending on your installation.

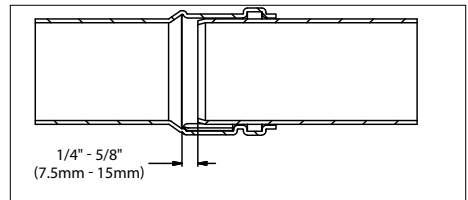
### **HORIZONTAL TERMINATIONS:**

For PolyPro vent systems ending in a horizontal termination, follow these steps:

**1.** Determine your location through the wall. Verify your location meets the requirements for horizontal terminations as described in all applicable building codes and your appliance's installation instructions. In the US



**Figure 5**



**Figure 6**

be sure to comply with NFPA 54/ANSI Z223.1 National Fuel Gas Code or the International Fuel Gas Code. In Canada, comply with CAN /CGA-B149.1 Natural Gas Installation Code or CAN /CGA -149.2 Propane Installation Code. In addition to meeting applicable building codes and appliance manufacturer requirements, M&G DuraVent requires at least 12" of separation between the air inlet and exhaust. However for specific appliance recommendations please refer to the OEM's Installation Instructions. This does not apply to Twin Pipe and Concentric Terminations.

**2.** Determine which horizontal termination you will use. PolyPro offers three different engineered terminations to handle different installation situations: concentric Horizontal Termination, the Twin Pipe Termination, and the Single Horizontal Termination. In addition, PolyPro vent can also be terminated using black, UV-resistant pipe, elbows, or a tee as described below.

The concentric Horizontal Termination (**Figure 7**) is specifically designed and

**Table 2**

**PolyPro Wall Penetration Sizing Table**

Termination	VENT DIAMETER		
	2"	3"	4"
CONCENTRIC HORIZONTAL (ROUND OR SQUARE)	4 1/8" 105mm	5 1/8" 130mm	6 1/8" 155mm
TWIN PIPE HORIZONTAL CLASS IIB	7 3/8" x 2 5/8" 187mm x 65mm	8 3/8" x 3 7/8" 212 x 85mm	9" x 4 3/8" 228 x 100mm
TWIN PIPE HORIZONTAL CLASS IIC	8" x 3" 200 x 77mm	8 7/8" x 3 7/8" 225 x 98mm	9 3/8" x 4 3/8" 238 x 112mm
SINGLE HORIZONTAL (ROUND OR SQUARE) CLASS IIB \ CLASS IIC	2 5/8" / 3" 65mm / 77mm	3 3/8" / 3 7/8" 85mm / 98mm	4" / 4 3/8" 100mm / 112mm

engineered to handle wind loads and backpressure. Refer to **Table 2** for the size of the hole in the wall needed for the different diameter terminations.

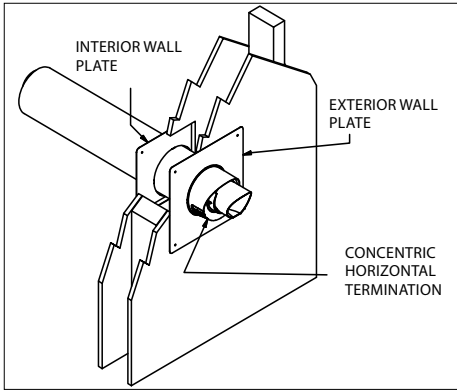
The Twin Pipe Termination is a side-by-side (collinear) vent system for the exhaust and the air inlet (**Figure 8**). For the Twin Pipe Termination, the penetration must be either two holes for each of the exhaust and air inlet pipes or a rectangular opening to handle both. Clearance to combustibles is only required on the exhaust side of the Twin Pipe Termination. Refer to **Table 2** for hole sizes. Remember to maintain the necessary clearance to combustibles. The Twin Pipe Termination can be positioned in either a horizontal (side-by-side) or vertical (one pipe above the other) orientation (**Figure 8**).

The Single Horizontal Termination can be used for the appliance's exhaust if a vented air inlet is not required for your appliance (**Figure 9**). Refer to **Table 2** for the necessary hole size through the wall. Remember to maintain the necessary clearance to combustibles.

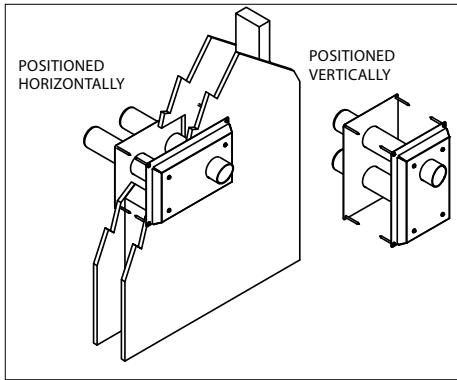
**3.** Once you have determined the type of wall termination, selected the location and cut the hole as described, then install your horizontal

termination as follows:

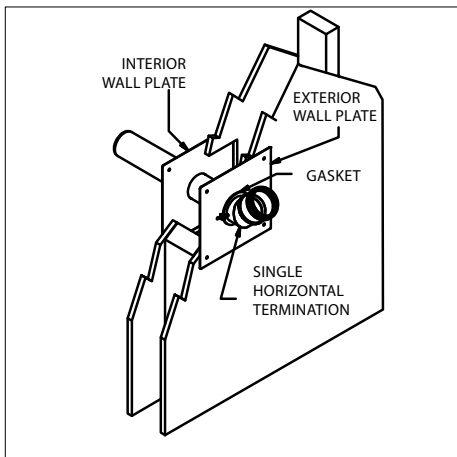
**Concentric Horizontal Termination:** Slide the Exterior Wall Plate over the exterior end of the Concentric Horizontal Termination until it stops. From the outside, slide the Termination through the wall penetration until the Exterior Wall Plate reaches the wall (**Figure 10**). The Exterior Wall Plate helps to hold the Termination in place and ensures the Concentric Horizontal Termination is in the correct position for proper wind performance. If needed for your installation, the interior end of the Concentric Horizontal Termination can be cut to length, as long as it extends through the wall. Be sure to remove any burrs after cutting. The Concentric Horizontal Termination must be installed either level or with a maximum downward pitch of 1/8" per foot (10 mm per meter) away from the appliance. To prevent rainwater from entering the air inlet system, ensure the Termination is installed correct side up (**Figure 7**). Using RTV silicone sealant, mount and seal the Exterior Wall Plate to the wall and secure it with the hardware provided. On the interior wall, slide the Interior Wall Plate over the Concentric Horizontal Termination and secure to the interior wall with supplied hardware. Then secure the Interior Wall Plate to the Termination pipe itself using the



**Figure 7**



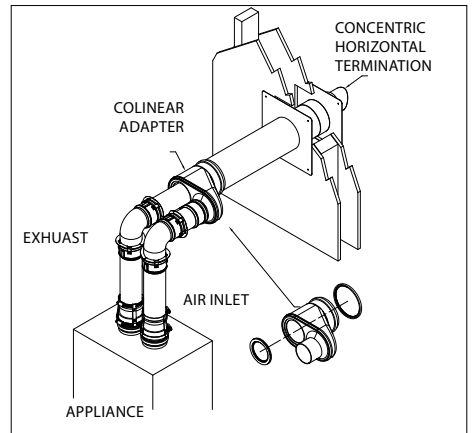
**Figure 8**



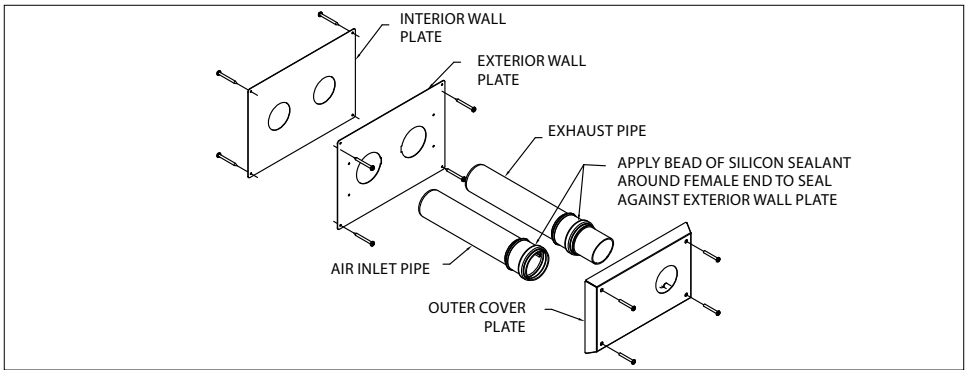
**Figure 9**

supplied sheet metal screws through the four tabs on the wall plate. Once in place, the Horizontal Termination should not be able to move. If the appliance requires a two-pipe system (exhaust and air inlet) then you will need to connect the Collinear Adapter that came with the Termination. For the Collinear Adapter, assemble the two gaskets that came with the Adapter. Verify the exhaust side is the side that passes through the Collinear Adapter and the air inlet side connects to the off center stub on the Adapter (**Figure 10**).

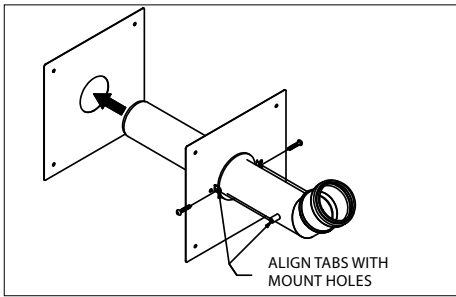
**Twin Pipe Termination:** Mount the Exterior Wall Plate of the Termination on the outside wall, using RTV silicone sealant between the plate and the wall to prevent rain infiltration (**Figure 11**). Secure the back plate in place with (4) 1-1/2" wood screws or appropriate hardware for your exterior wall. From the outside, apply a bead of silicone sealant around the female end of the pipe where the plate will meet the flared end (**Figure 11**). This is needed to weatherize the connection. Then slide the two PolyPro vent pipe section into the holes of the Exterior Wall Plate (male end first). Twist the pipe so the female end's keyway slides past the Exterior Wall Plate as shown. If needed, the PolyPro vent pipe sections can be cut to length for your



**Figure 10**



**Figure 11**



**Figure 12**

installation. On the exhaust vent, attach the termination nozzle, and orient it so the protruding edge is at the top of the exhaust vent. Put the Outer Cover Plate over the vent pipe, with the exhaust nozzle extending through the Outer Cover Plate, and the air inlet being covered by it. The Outer Cover Plate will hold both the air inlet vent and the exhaust vent in place. Secure the Outer Cover Plate to the Exterior Wall Plate using the hardware supplied. On the inside wall, mount the Interior Wall Plate to the wall and secure with hardware supplied.

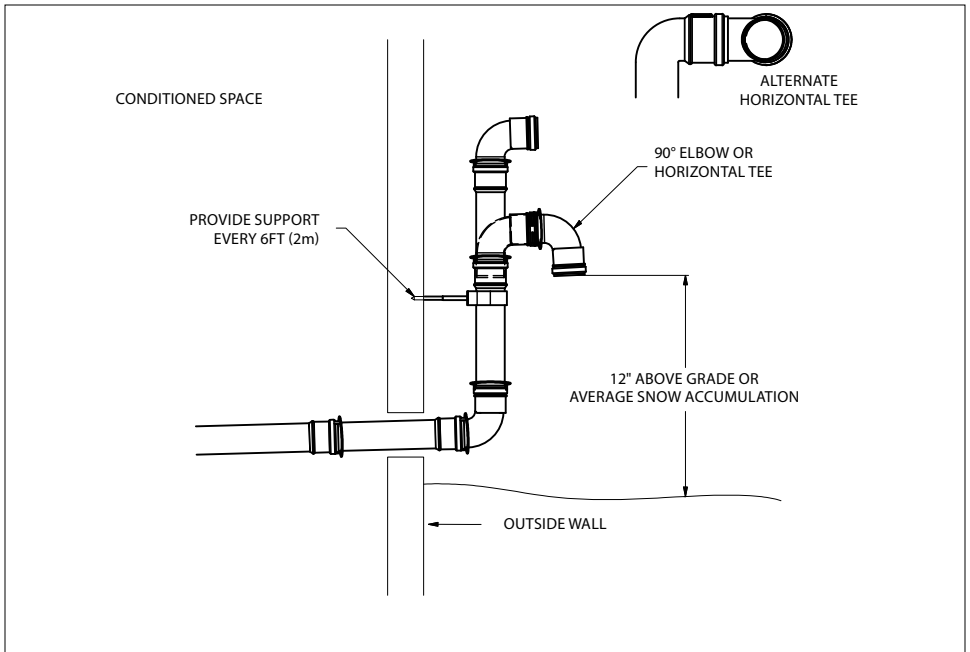
**Single Horizontal Termination:** Mount the gasket material into the black-painted Exterior Wall Plate. If needed, the termination vent pipe can be cut depending on your wall thickness. Slide the termination vent

section through the Exterior Wall Plate and align the mounting holes of the vent pipe with the tabs of the Exterior Wall Plate (**Figure 12**). Secure the termination vent to the wall plate's tabs with the black sheet metal screws provided. Do not over-tighten the screws. Add RTV silicone sealant around the perimeter of the wall plate for weather protection. Mount the Exterior Wall Plate to the exterior wall with (4) 1-1/2" screws or other hardware appropriate for your wall. If you live in an area where icing is a concern, be sure to orient the Single Horizontal Termination so it is pointed upward. This will prevent icicles from forming on the end of the cap and will allow rain to enter the vent, thereby diluting the acidic condensate.



**IMPORTANT**

**If the cap is installed so rain can enter the cap, a condensate drain with a U-bend or P-trap made of corrosion resistant material must be used in the vent system and/or the appliance must be able to manage the condensate as directed in the appliance manufacturer's installation instructions.**



**Figure 13**

If you are not in an area where icing is a concern, directing the termination downward is permissible. On the inside wall, mount the Interior Wall Plate to the wall and secure with hardware supplied.

**ELBOW OR TEE TERMINATION:**

In addition to the engineered horizontal terminations described above, the installer may also use UV-resistant, black vent pipe lengths, elbows, and tees to form a termination (see **Figure 13**). Do not use the gray non-UV protected pipe as a horizontal termination, except in combination with the engineered horizontal terminations described above.

For the terminations, elbows may be used in either a 45-degree, or 90-degree configuration. A Tee may also be used as the termination, but must remain horizontal as shown in **Figure 13**. If an air-inlet is part

of the termination, ensure the air-inlet will not let the exhaust recirculate back into the system. Make sure the air-inlet will not have rain entering the system by keeping the inlet pointing downward. Check with your appliance manufacturer for additional termination requirements or restrictions, and follow all local and national code requirements for the location of your terminations.

**4.** Once the Horizontal Termination is in place, complete the installation using sections of PolyPro vent pipe between the appliance and the Termination. Secure with Wall Straps and Locking Bands at the joints as described in the Joint Connection section.

**VERTICAL TERMINATIONS:**

For PolyPro vent installations ending in a vertical termination, the vent system must terminate at least 2 feet above the roof line or

any wall or vertical structure within 10 feet.

- Always secure the Vertical Termination Cap with its support clamp.
- Do not install anything on top of the Vertical Termination Cap. The Vertical Termination Cap is specially designed for high efficiency appliances which produce large quantities of moisture due to condensation of combustion gases.

M&G DuraVent has developed a special end cap that prevents freezing of the condensate at the termination. This design allows rain to enter the termination which also serves to dilute acidic condensate. However, a Condensate Drain must be incorporated in the vent system to allow condensation and rainwater to escape from the venting system. The drain must include a trap to prevent combustion gases from entering the living space.

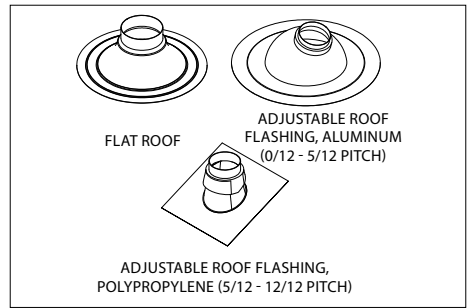
1. Choose the appropriate Flashing in accordance with your roof. For pitched roofs, an Adjustable Roof Flashing is available in either aluminum or polypropylene. For flat roofs an aluminum Flat Roof Flashing is available. (**Figure 14**).

2. For each floor level between the appliance and the roof, determine the location where the vent will penetrate through. Cut and frame an opening through that floor level. Install the vent pipe through the opening at that floor level. Install the Firestop Spacer around the vent pipe on the underside of the floor penetration. Use the enclosed hardware to secure the Firestop Spacer in place.

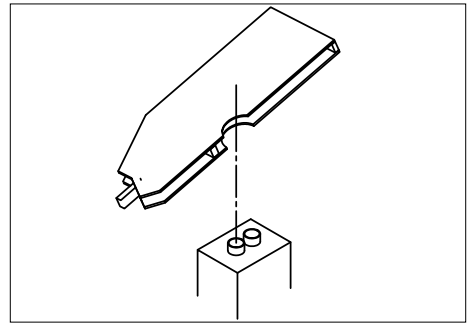
3. Determine the location of the roof

 <b>IMPORTANT</b>
<b>Do not turn the cap.</b>

penetration. Cut a hole from the exterior of the roof. Important: Make sure that no dirt or debris drop into the appliance exhaust or air intake piping. (**Figure 15**).

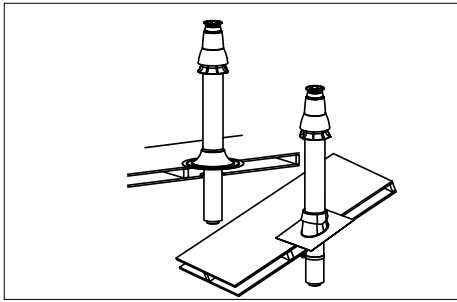


**Figure 14**

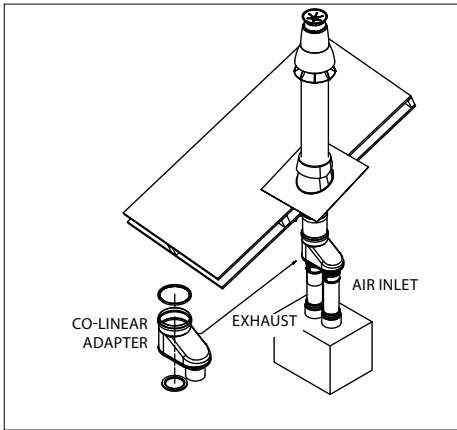


**Figure 15**

4. Place the Flashing into position on the roof.
5. Carefully lower the Vertical Termination Cap down through the Flashing from the roof. (**Figure 16**).
6. Verify that the Vertical Termination Cap is plumb using a level or similar device.
7. Fix the roof clamp (supplied) around the base of the Vertical Termination Cap and secure roof clamp to a nearby framing structure. Do not tighten the clamp yet.
8. Complete the connection between the Vertical Termination Cap and the appliance using appropriate PolyPro vent pipe and fittings.
- 8a. If the appliance requires only a single



**Figure 16**



**Figure 17**

vent (exhaust) then single-wall PolyPro can be attached directly to the inner vent pipe of the Vertical Termination. If the appliance requires a two-pipe system (exhaust and air inlet) then you will need to connect the Collinear Adapter that came with the Termination. For the Collinear Adapter, assemble the two gaskets that came with the Adapter. Verify the exhaust side is the side that passes through the Collinear Adapter and the air inlet side connects to the off center stub on the Adapter (**Figure 17**).

**9.** Secure the roof clamp around the Vertical Termination Cap.

**10.** With the Vertical Termination in place,

## CONDENSATE DRAIN

### **! IMPORTANT**

Condensate must be managed by either the appliance or by the use of condensate drain(s) in the system.

A condensate drain requires a U-bend or P-trap made of corrosion resistant material must be used in the vent system and/or the appliance must be able to manage the condensate as directed in the appliance manufacturer's installation instructions.

### **! WARNING**

Follow the appliance manufacturer's instructions with regards to the minimum trap height of the condensate drain. Insufficient height on the trap can cause the flue gases to be blown out under a blocked vent condition before the appliance's blocked vent detection system can function.

## MAINTENANCE

Have your venting system checked annually by a qualified serviceman. Recommended areas to inspect are as follows:

- 1.** Check areas of the Venting System which are exposed to the elements for wear or damage. If damage is found, the components should be replaced immediately.
- 2.** Where possible, look into the Termination Cap to verify no foreign material is there to block the vent. Remove any foreign material found.
- 3.** Inspect joints to verify that no Pipe Sections or Fittings have been disturbed, and consequently loosened. Also check mechanical supports such as Wall Straps for rigidity.

## POLYPRO WARRANTY

M&G DuraVent, Inc. ("DuraVent") provides this warranty for PolyPro® for ten years. Subject to the limitations set forth below, DuraVent warrants that its products will be free from defects in material or manufacturing, if properly installed, maintained and used. DuraVent products are fully warranted if installed only by a professional installer. This Warranty is transferable from the original homeowner to the buyer of the home within the warranted ten years. This warranty does not cover normal wear and tear, smoke damage or damage caused by chimney fires, acts of God, or any product that was: (1) purchased other than from an authorized DuraVent dealer, retailer or distributor; (2) modified or altered; (3) improperly serviced, inspected or cleaned; or (4) subject to negligence or any use not in accordance with the installation instructions included with the product as determined by DuraVent.

Installation instructions are available online at [www.duravent.com](http://www.duravent.com) under Support/Literature and through our Customer Service Department 800-835-4429 or [customerservice@duravent.com](mailto:customerservice@duravent.com).

DuraVent provides the following warranties for PolyPro: One Hundred Percent (100%) MSRP 10 years from the date of purchase.

All warranty obligations of DuraVent shall be limited to repair or replacement of the defective product pursuant to the terms and conditions applicable to each product line. These remedies shall constitute DuraVent's sole obligation and sole remedy under this warranty. This warranty provides no cash surrender value. The terms and conditions of this warranty may not be modified, altered or waived by any action, inaction or representation, whether oral or in writing, except upon the express, written authority of an executive officer of DuraVent.

This product is intended for venting only category II & IV appliances burning Natural Gas, Propane and Oil. All other fuels are not covered under this warranty.

LIMITATIONS ON POLYPRO INTERNET SALES: Notwithstanding any other terms or conditions of this PolyPro Warranty, DuraVent provides no warranty for PolyPro® if it is not installed by a qualified professional installer.

DuraVent must be notified and given the opportunity to inspect defective product prior to replacement under the terms of this limited lifetime warranty. All warranty claims must be submitted with proof of purchase. Labor and installation costs are not covered under this warranty. To obtain warranty service contact: DuraVent Warranty Service, 877 Cotting Ct., Vacaville CA 95688, or call 800-835-4429.

WHERE LAWFUL, DURAVENT DISCLAIMS ALL OTHER WARRANTIES, INCLUDING BUT NOT LIMITED TO IMPLIED WARRANTIES OF MERCHANTABILITY AND FITNESS FOR A PARTICULAR PURPOSE. IN NO EVENT WILL DURAVENT BE LIABLE FOR INCIDENTAL, CONSEQUENTIAL, PUNITIVE OR SPECIAL DAMAGES OR DIRECT OR INDIRECT LOSS OF ANY KIND, INCLUDING BUT NOT LIMITED TO PROPERTY DAMAGE AND PERSONAL INJURY. DURAVENT'S ENTIRE LIABILITY IS LIMITED TO THE PURCHASE PRICE OF THIS PRODUCT. SOME STATES DO NOT ALLOW LIMITATIONS ON IMPLIED WARRANTIES, OR THE EXCLUSION OR LIMITATION OF INCIDENTAL OR CONSEQUENTIAL DAMAGES, SO THE ABOVE LIMITATIONS AND EXCLUSIONS MAY NOT APPLY TO YOU. THIS LIMITED WARRANTY GIVES YOU SPECIFIC LEGAL RIGHTS, AND YOU MAY ALSO HAVE OTHER RIGHTS THAT VARY FROM STATE TO STATE.

For the most up-to-date installation instructions, see [www.duravent.com](http://www.duravent.com)

REV 3.22.2012

# DuraVent

Member of  M&G Group

**Customer Service Support 800-835-4429 707-446-4740 FAX [www.duravent.com](http://www.duravent.com)**

PolyPro® and GreenVent® are registered trademarks of M&G DuraVent, Inc.  
All rights reserved, ©2012 M&G DuraVent is a member of M&G Group.

5/2012 L273