



EL16XC1
ELITE® Series
R-410A - 60 Hz

RESIDENTIAL
PRODUCT SPECIFICATIONS

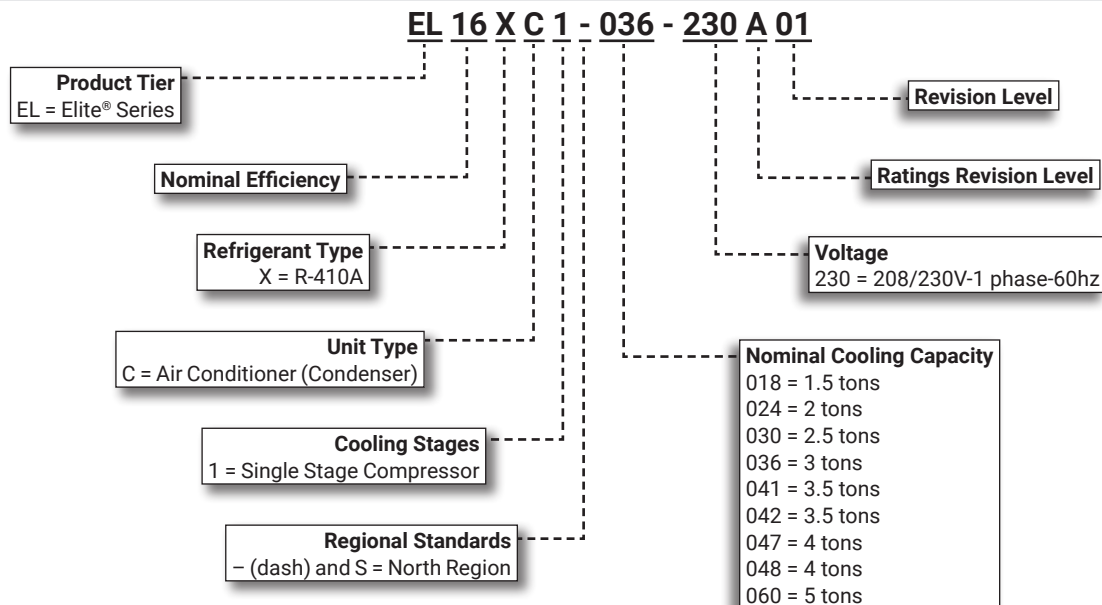
Bulletin No. 210833
 June 2023
 Supersedes January 2023

ELITE®
 SERIES



SEER2 up to 16.2 / SEER up to 17.9
1.5 to 5 Tons
Cooling Capacity - 17,500 to 60,000 Btuh

MODEL NUMBER IDENTIFICATION



FEATURE HIGHLIGHTS

1. Outdoor Coil Fan
2. Quantum™ Coil
3. High Capacity Liquid Line Drier
4. High Pressure Switch
5. Scroll Compressor
6. Heavy Gauge Steel Cabinet
7. SmartHinge™ Louvered Coil Protection
8. Refrigerant Line Connections and Access



CONTENTS

Approvals And Warranty	3
Controls - Order Separately	8
Dimensions - Unit	10
Electrical Data	7
Features	3
Field Wiring	9
Installation Clearances	9
Optional Accessories - Order Separately	7
Sound Data	9
Specifications	7
TXV Substitution	11
TXV Usage.	11

APPROVALS AND WARRANTY

APPROVALS

- AHRI Standard 210/240 certified
- AHRI Certified system match-ups and expanded ratings, visit www.LennoxPros.com
- ENERGY STAR® Certified (certain units)
- Sound rated to AHRI Standard 270-2008 test conditions
- Tested in Lennox' Research Laboratory environmental test room
- Rated According to U.S. Department of Energy (DOE) test procedures
- Region specific models meet the minimum efficiency requirements for U.S. DOE Federal Regional Standards in that area
- Unit and components ETL, NEC and CEC bonded for grounding to meet safety standards for servicing
- ETL certified (U.S. and Canada)
- ISO 9001 Registered Manufacturing Quality System

WARRANTY

- Compressor:
 - Limited ten years in residential installations
 - Limited five years in non-residential installations
- All other covered components:
 - Limited five years in residential installations
 - Limited one year in non-residential installations

NOTE - Refer to Lennox® Basic Limited Warranty at www.Lennox.com for additional details.

FEATURES

APPLICATIONS

- 1.5 through 5 ton
- Sound levels as low as 71 dBA
- Single-phase power supply
- Vertical air discharge
- Applicable to indoor air handlers or gas furnaces with indoor add-on coils
- Shipped completely factory assembled, piped and wired
- Factory test operated

REFRIGERATION SYSTEM

R-410A Refrigerant

- Non-chlorine, ozone friendly
- Unit is factory pre-charged

1 Outdoor Coil Fan

- Direct drive fan
- Vertical air discharge
- Totally enclosed fan motor
- Sleeve bearings
- Inherently protected
- PVC (polyvinyl chloride) coated steel fan guard

2 Quantum™ Coil

- Lennox designed and fabricated coil
- Enhanced aluminum alloy tube/enhanced fin coil
- Superior corrosion resistance
- Ripple-edged aluminum fins
- Aluminum tube construction
- Lanced fins for maximum fin surface exposure
- Fin collars grip tubing for maximum contact area
- Flared shoulder tubing connections
- Factory tested under high pressure
- Entire coil is accessible for cleaning

3 High Capacity Liquid Line Drier

- Factory installed in the liquid line
- Drier traps moisture or dirt
- 100% molecular-sieve, bead type, bi-flow drier

4 High Pressure Switch

- Protects the system from high pressure conditions
- Automatic reset

Discharge Thermostat

- Factory installed on the discharge line of the compressor
- SPST
- Automatic reset
- Removes power to the compressor when discharge temperature exceeds the factory setting of 220°F

FEATURES

REFRIGERATION SYSTEM (continued)

Optional Accessories

Expansion Valve Kits

- Field installed on certain indoor units
- See TXV Usage table
- Chatleff-style fitting

Freezestat

- Senses suction line temperature
- Cycles compressor off when suction line temperature falls below it's setpoint
- Opens at 29°F and closes at 58°F
- Installs on or near the discharge line of the evaporator or on the suction line

Loss of Charge Switch Kit

- Protects compressor from damage from low refrigerant charge conditions
- SPST, normally-closed
- Automatic reset

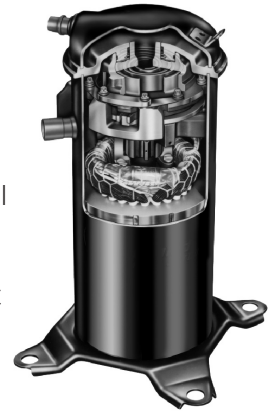
Refrigerant Line Kits

- Refrigerant lines are shipped refrigeration clean
- Lines are cleaned, dried, pressurized and sealed at factory
- Suction line fully insulated
- Lines are stubbed at both ends

COMPRESSOR

5 Scroll Compressor

- High efficiency with uniform suction flow
- Constant discharge flow, high volumetric efficiency and quiet operation
- Low gas pulses during compression reduces operational sound levels
- Compressor motor is internally protected from excessive current and temperature
- Muffler in discharge line reduces operating sound levels
- Compressor is installed in the unit on resilient rubber mounts for vibration free operation



Scroll Compressor Operation

- Two involute spiral scrolls matched together generate a series of crescent-shaped gas pockets between them
- During compression, one scroll remains stationary while the other scroll orbits around it
- Gas is drawn into the outer pocket, the pocket is sealed as the scroll rotates
- As the spiral movement continues, gas pockets are pushed to the center of the scrolls. Volume between the pockets is simultaneously reduced
- When the pocket reaches the center, gas is now at high pressure and is forced out of a port located in the center of the fixed scrolls
- During compression, several pockets are compressed simultaneously resulting in a smooth continuous compression cycle
- Continuous flank contact, maintained by centrifugal force, minimizes gas leakage and maximizes efficiency
- Compressor is tolerant to the effects of slugging and contaminants. If this occurs, scrolls separate, allowing liquid or contaminants to be worked toward the center and discharged

Compressor Crankcase Heater (060 Models)

- Protects against refrigerant migration that can occur during low ambient operation
- Factory Installed

Compressor Sound Dampening System

- Polyethylene compressor
- 2 inch thick batt fiberglass insulation
- All open edges sealed with one-inch wide hook and loop fastening tape

FEATURES

COMPRESSOR (continued)

Optional Accessories

Compressor Crankcase Heater (018 thru 048 models)

- Protects against refrigerant migration that can occur during low ambient operation

Compressor Hard Start Kit

- Single-phase units are equipped with a PSC compressor motor
- This type of motor normally doesn't need a potential relay and start capacitor
- For conditions such as low voltage kit may be required to increase the compressor starting torque

Compressor Low Ambient Cut-Off Switch

- Non-adjustable switch (low ambient cut-out) prevents compressor operation when outdoor temperature is below 35°F

CONTROLS

Optional Accessories

E30 Smart Wi-Fi Thermostat

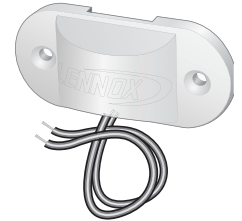
- Wi-Fi enabled, electronic 7-day, universal, multi-stage, programmable, touchscreen thermostat
- 3 Heat/2 Cool
- Auto-changeover
- Controls dehumidification during cooling mode and humidification during heating mode
- Offers enhanced capabilities including humidification / dehumidification / dewpoint measurement and control, Humiditrol® control, and equipment maintenance reminders
- Easy to read 7 in. color touchscreen (measured diagonally)
- LCD display with backlight shows the current and set temperature, time, inside relative humidity, system status (operating mode and schedules) and outside temperature (optional outdoor sensor required)
- Smooth Setback Recovery starts system early to achieve setpoint at start of program period
- Compressor short-cycle protection (5 minutes)
- Up to four separate schedules are available plus Schedule IQ™
- One-Touch Away Mode - A quick and easy way to set the cooling and heating setpoints while away
- Smart Away™ - Uses geo-fencing technology to determine when the homeowner is within a predetermined distance from the home to operate the system when leaving, away and arriving
- Wi-Fi remote monitoring and adjustment through a home wireless network for desktop PCs, laptops and apps for smartphones or tablets
- Smart home automation compatible with Apple HomeKit™, Amazon Alexa®, Google Assistant and IFTTT



- Service Dashboard features online real-time monitoring of installed Lennox® thermostats
- High Definition Color Display with Subbase, Smart Hub Controller, wallplate (for retrofit installations) furnished for easy installation
- See the Lennox® E30 Smart Wi-Fi Thermostat Product Specifications bulletin for more information

Remote Outdoor Temperature Sensor

- Used with the Lennox® E30 Smart Wi-Fi Thermostat
- When installed outdoors, sensor allows thermostat to display outdoor temperature
- Sensor is auto-detected when connected to thermostat



NOTE - Sensor is required for the Enhanced Dehumidification Accessory (EDA).

Thermostat

- Thermostat is not furnished with unit
- See Lennox Price Book for selection

Indoor Blower Off Delay Relay

- Delays the indoor blower-off time during the cooling cycle

Low Ambient Kit

- Air conditioners can operate down to 45°F outdoor air temperature without additional controls
- Allows unit to operate properly down to 30°F

NOTE - Crankcase heater and freezestat should be installed on compressors equipped with a low ambient kit.

NOTE - A compressor lock-out thermostat should be added to terminate compressor operation below recommended operation conditions.

Compressor Timed-Off Control

- Prevents compressor short-cycling
- Allows time for suction and discharge pressure to equalize
- Permits compressor start-up in an unloaded condition
- Automatic reset with 5 minute delay between compressor shut-off and start-up

FEATURES

CABINET

- 6 • Heavy-gauge steel construction
- Pre-painted cabinet finish
- Louvered heavy gauge steel panels surround unit on all four sides
- Control box is conveniently located with all controls factory wired
- Corner patch plate allows access to compressor components
- Drainage holes are provided in base section for moisture removal
- High density polyethylene unit support feet raise the unit off of the mounting surface, away from damaging moisture

PermaGuard™ Unit Base

- Durable zinc-coated base section resists rust and corrosion

7 SmartHinge™ Louvered Coil Protection

- Steel louvered panels provides complete coil protection
- Panels are hinged to allow easy cleaning and servicing of coils
- Panels may be completely removed
- Interlocking tabs and slots assure tight fit on cabinet



8 Refrigerant Line Connections, Electrical Inlets and Service Valves

- Sweat connection suction and liquid lines
- Located on corner of unit cabinet
- Suction valve can be fully shut off, while liquid valve may be front seated to manage refrigerant charge while servicing system
- Refrigerant line connections and field wiring inlets are located in one central area of the cabinet
- See dimension drawing

SPECIFICATIONS						
General Data	Model No.	North Region	EL16XC1-018	EL16XC1-024	EL16XC1-030	EL16XC1S036
		Nominal Tonnage	1.5	2	2.5	3
	Indoor Unit Expansion Valve (TXV) (if needed)		12J18	12J18	12J18	12J19
Connections (sweat)	Liquid line OD - in.		3/8	3/8	3/8	3/8
	Suction line OD - in.		3/4	3/4	3/4	7/8
Refrigerant	¹ R-410A charge furnished		4 lbs. 4 oz.	5 lbs. 1 oz.	7 lbs. 0 oz.	8 lbs. 2 oz.
Outdoor Coil	Net face area - sq. ft.		13.22	16.33	21.00	16.33
	Outer coil					
	Inner coil		---	---	---	15.75
	Tube diameter - in.		5/16	5/16	5/16	5/16
	No. of rows		1	1	1	2
	Fins per inch		26	26	26	22
Outdoor Fan	Diameter - in.		18	22	22	22
	No. of blades		3	3	3	3
	Motor hp		1/10	1/6	1/6	1/6
	Cfm		2290	3160	3160	3160
	Rpm		1075	825	825	825
	Watts		160	215	215	190
	Shipping Data - lbs. 1 pkg.			155	171	187
ELECTRICAL DATA						
Line voltage data - 60hz			208/230V-1ph	208/230V-1ph	208/230V-1ph	208/230V-1ph
² Maximum overcurrent protection (MOCP) amps			20	25	25	30
³ Minimum circuit ampacity (MCA)			12.0	14.6	17.0	18.8
Compressor	Rated load amps		9.0	10.9	12.8	14.2
	Locked rotor amps		56.3	62.9	67.8	72.2
	Power factor		0.97	0.97	0.97	0.96
Outdoor Fan Motor	Full load amps		0.7	1	1	1
	Locked rotor amps		1.3	1.9	1.9	1.9
CONTROLS						
E30 Smart Wi-Fi Thermostat		20A65	•	•	•	•
Remote Outdoor Temperature Sensor		X2658	•	•	•	•
OPTIONAL ACCESSORIES - ORDER SEPARATELY						
Compressor Crankcase Heater		93M04	•	•	•	•
Compressor Hard Start Kit	Copeland	10J42	•	•	•	•
	LG	88M91	•	•	•	•
Compressor Low Ambient Cut-Off Switch		45F08	•	•	•	•
Compressor Timed-Off Control		47J35	•	•	•	•
Freezestat	3/8 in. tubing	93G35	•	•	•	•
	5/8 in. tubing	50A93	•	•	•	•
Indoor Blower Off Delay Relay		58M81	•	•	•	•
Loss of Charge Switch Kit		84M23	•	•	•	•
⁴ Low Ambient Kit (Fan Cycling)		34M72	•	•	•	•
Refrigerant Line Sets	3/8 x 3/4 x 3/8 - 20 ft.	89J56				
	3/8 x 3/4 x 3/8 - 30 ft.	89J57				
(Liq. x Suc. OD x	3/8 x 3/4 x 3/8 - 40 ft.	89J58	•	•	•	
Insulation Thickness -	3/8 x 3/8 x 3/8 - 50 ft.	89J59				
Length)	3/8 x 7/8 x 3/8 - 30 ft.	89J60				
	3/8 x 7/8 x 3/8 - 40 ft.	89J61				•
	3/8 x 7/8 x 3/8 - 50 ft.	89J62				

NOTE - Extremes of operating range are plus 10% and minus 5% of line voltage.

¹ Refrigerant charge sufficient for 15 ft. length of refrigerant lines. For longer line set requirements see the Installation Instructions for information about line set length and additional refrigerant charge required.

² HACR type breaker or fuse.

³ Refer to National or Canadian Electrical Code manual to determine wire, fuse and disconnect size requirements.

⁴ Crankcase Heater and Freezestat are recommended with Low Ambient Kit.

SPECIFICATIONS

General Data	Model No.	North Region	EL16XC1-041	EL16XC1-042	EL16XC1-047	EL16XC1-048	EL16XC1-060
		Nominal Tonnage	3.5	3.5	4	4	5
	Indoor Unit Expansion Valve (TXV) (if needed)		12J20	12J20	12J20	12J20	12J20
Connections (sweat)	Liquid line OD - in.		3/8	3/8	3/8	3/8	3/8
	Suction line OD - in.		7/8	7/8	7/8	7/8	1-1/8
Refrigerant	¹ R-410A charge furnished		9 lbs. 4 oz.	8 lbs. 6 oz.	11 lbs. 4 oz.	10 lbs. 0 oz.	12 lbs. 11 oz.
Outdoor Coil	Net face area - sq. ft.	Outer coil	21.00	21.00	22.17	21.00	29.09
		Inner coil	20.25	20.25	21.33	20.25	28.16
	Tube diameter - in.		5/16	5/16	5/16	5/16	5/16
	No. of rows		2	2	2	2	2
	Fins per inch		22	22	22	22	22
Outdoor Fan	Diameter - in.		22	22	26	22	26
	No. of blades		3	3	4	4	3
	Motor hp		1/6	1/6	1/3	1/4	1/3
	Cfm		3050	3050	4400	3600	4550
	Rpm		825	825	825	825	825
	Watts		190	190	310	310	310
	Shipping Data - lbs. 1 pkg.		227	234	272	255	284

ELECTRICAL DATA

Line voltage data - 60hz	208/230V-1ph	208/230V-1ph	208/230V-1ph	208/230V-1ph	208/230V-1ph	
² Maximum overcurrent protection (amps)	30	35	35	40	50	
³ Minimum circuit ampacity	18.0	21.9	22.9	24.8	29.6	
Compressor	Rated load amps	13.6	16.7	16.9	18.5	22.2
	Locked rotor amps	80.2	109.0	94.0	124.0	127.9
	Power factor	0.96	0.96	0.98	0.96	0.98
Outdoor Fan Motor	Full load amps	1	1	1.8	1.7	1.8
	Locked rotor amps	1.9	1.9	2.9	3.2	2.9

CONTROLS - ORDER SEPARATELY

E30 Smart Wi-Fi Thermostat	20A65	•	•	•	•	•
Remote Outdoor Temperature Sensor	X2658	•	•	•	•	•

OPTIONAL ACCESSORIES - ORDER SEPARATELY

Compressor Crankcase Heater	93M04	•	•			
	93M06			•	•	
	Factory					•
Compressor Hard Start Kit	Copeland 10J42		•		•	
	LG 88M91	•	•	•	•	•
Compressor Low Ambient Cut-Off Switch	45F08	•	•	•	•	•
Compressor Timed-Off Control	47J35	•	•	•	•	•
Freezestat	3/8 in. tubing 93G35	•	•	•	•	•
	5/8 in. tubing 50A93	•	•	•	•	•
Indoor Blower Off Delay Relay	58M81	•	•	•	•	•
Loss of Charge Switch Kit	84M23	•	•	•	•	•
⁴ Low Ambient Kit (Fan Cycling)	34M72	•	•	•	•	•
Refrigerant Line Sets (Liq. x Suc. OD x Insulation Thickness - Length)	3/8 x 7/8 x 3/8 - 30 ft. 86J60					
	3/8 x 7/8 x 3/8 - 40 ft. 86J61	•	•	•	•	
	3/8 x 7/8 x 3/8 - 50 ft. 86J62					
	3/8 x 1-1/8 x 3/8 - 30 ft. X0570					•
	3/8 x 1-1/8 x 3/8 - 50 ft. 73P91					

NOTE - Extremes of operating range are plus 10% and minus 5% of line voltage.

¹ Refrigerant charge sufficient for 15 ft. length of refrigerant lines. For longer line set requirements see the Installation Instructions for information about line set length and additional refrigerant charge required.

² HACR type breaker or fuse.

³ Refer to National or Canadian Electrical Code manual to determine wire, fuse and disconnect size requirements.

⁴ Crankcase Heater and Freezestat are recommended with Low Ambient Kit.

SOUND DATA

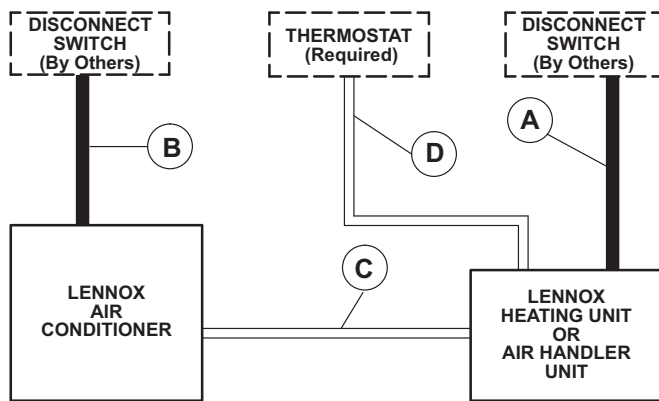
¹ Unit Model	Octave Band Sound Power Levels dBA, re 10 ⁻¹² Watts Center Frequency - HZ							¹ Sound Rating Number (dBA)	² Estimated Sound Pressure Level at Distance From Unit (dBA at distance in ft.)				
	125	250	500	1000	2000	4000	8000		3	5	10	15	50
018	55	61	67	68	63.5	59	50.5	72	65	60	54	51	40
024	55	62	67.5	66.5	63	59	52.5	72	65	60	54	51	40
030	54	61.5	66	66	62	57	51	71	64	59	53	50	39
036	56	66	69	67	62.5	57.5	50.5	73	66	61	55	52	41
041	54.5	62.5	67.5	67	62.5	58.5	52.5	72	65	60	54	51	40
042	55.5	62.5	68	67	62	57.5	51.5	72	65	60	54	51	40
047	55	62	67	66.5	62.5	57.5	49.5	72	65	60	54	51	40
048	55.5	64.5	70	71	65	60.5	54	75	68	63	57	54	43
060	55.5	62.5	67	66.5	62.5	60	53.5	73	66	61	55	52	41

NOTE - The octave sound power data does not include tonal correction.

¹ Tested according to AHRI Standard 270-2008 test conditions.

² Estimated sound pressure level at distance based on AHRI Standard 275-2010 method for equipment located on the ground, roof, or on side of building wall with no adjacent reflective surface within 9.8 feet. Sound pressure levels will increase based on changes to assumptions. For other applications, refer to AHRI Standard 275.

FIELD WIRING



A - Two Wire Power (not furnished)

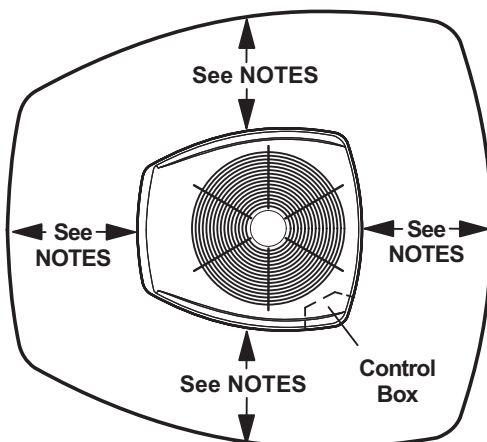
B - Two Power (not furnished). See Electrical Data

C - Four Wire Low Voltage (not furnished). 18 ga. minimum

D - Five Wire Low Voltage (not furnished). 18 ga. minimum

All wiring must conform to NEC or CEC and local electrical codes.

INSTALLATION CLEARANCES



NOTES:

Service clearance of 30 in. (762 mm) must be maintained on one of the sides adjacent to the control box.

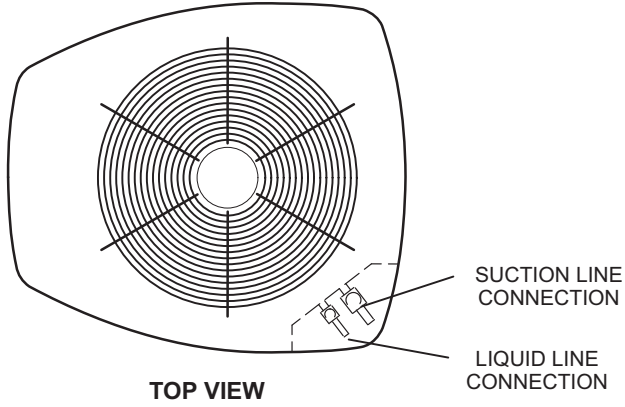
Clearance to one of the other three sides must be 36 in. (914 mm)

Clearance to one of the remaining two sides may be 12 in. (305 mm) and the final side may be 6 in. (152 mm).

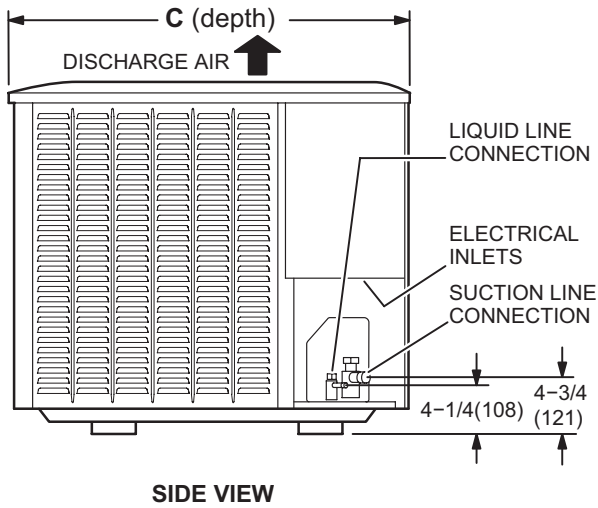
A clearance of 24 in. (610 mm) must be maintained between two units.

48 in. (1219 mm) clearance required on top of unit.

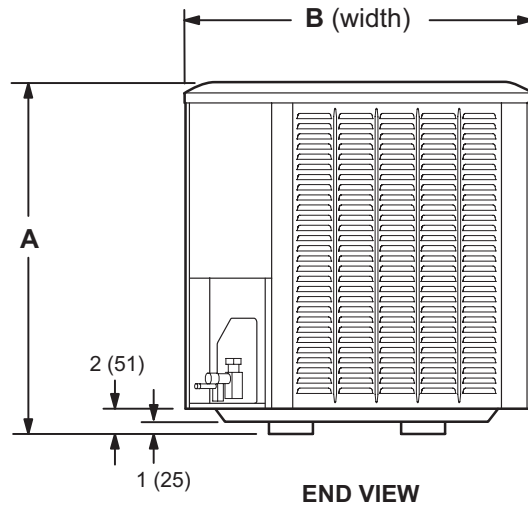
DIMENSIONS - UNIT



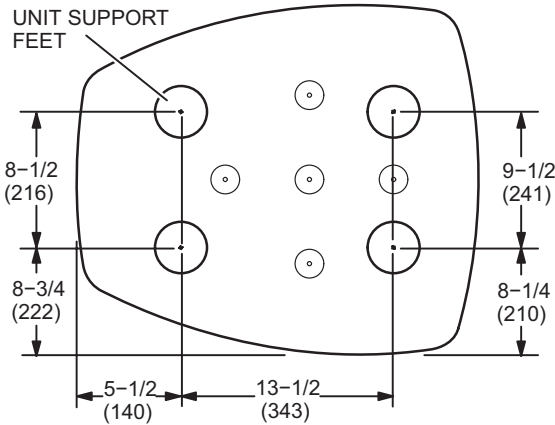
TOP VIEW



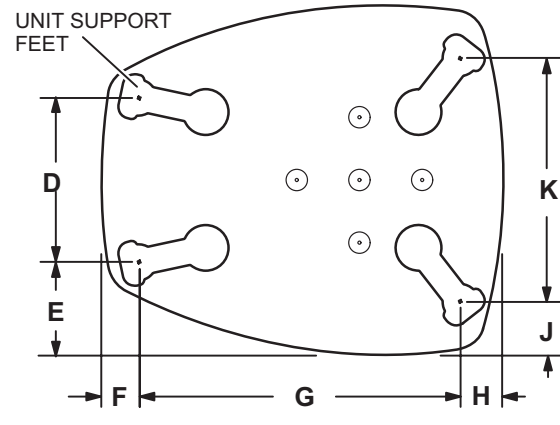
SIDE VIEW



END VIEW



EL16XC1-018 BASE SECTION
(Small Base)



EL16XC1-024 TO -060 BASE SECTION
(Medium and Large Base)

Model No.	A		B		C		D		E		F		G		H		J		K	
	in.	mm	in.	mm	in.	mm	in.	mm	in.	mm	in.	mm	in.	mm	in.	mm	in.	mm	in.	mm
EL16XC1-018	31	787	27	686	28	711	---	---	---	---	---	---	---	---	---	---	---	---	---	---
EL16XC1-024	31	787	30-1/2	775	35	889	13-7/8	352	7-3/4	197	3-1/4	83	27-1/8	689	3-5/8	92	4-1/2	114	20-5/8	524
EL16XC1-030	39	991	30-1/2	775	35	889	13-7/8	352	7-3/4	197	3-1/4	83	27-1/8	689	3-5/8	92	4-1/2	114	20-5/8	524
EL16XC1S036	31	787	30-1/2	775	35	889	13-7/8	352	7-3/4	197	3-1/4	83	27-1/8	689	3-5/8	92	4-1/2	114	20-5/8	524
EL16XC1-041	35	889	30-1/2	775	35	889	13-7/8	352	7-3/4	197	3-1/4	83	27-1/8	689	3-5/8	92	4-1/2	114	20-5/8	524
EL16XC1-042	39	991	30-1/2	775	35	889	13-7/8	352	7-3/4	197	3-1/4	83	27-1/8	689	3-5/8	92	4-1/2	114	20-5/8	524
EL16XC1-047	35	889	35-1/2	902	39-1/2	1003	16-7/8	429	8-3/4	222	3-1/8	79	30-3/4	781	4-5/8	117	3-3/4	95	26-7/8	683
EL16XC1-048	39	991	30-1/2	775	35	889	13-7/8	352	7-3/4	197	3-1/4	83	27-1/8	689	3-5/8	92	4-1/2	114	20-5/8	524
EL16XC1-060	45	1143	35-1/2	902	39-1/2	1003	16-7/8	429	8-3/4	222	3-1/8	79	30-3/4	781	4-5/8	117	3-3/4	95	26-7/8	683

TXV USAGE

Use this table for C35, CH23, and CR33 Field Installed TXV Match-Ups

Model No.	Order Number
EL16XC1-018	12J18
EL16XC1-024	12J18
EL16XC1-030	12J18
EL16XC1S036	12J19
EL16XC1-041	12J20
EL16XC1-042	12J20
EL16XC1-047	12J20
EL16XC1-048	12J20
EL16XC1-060	12J20

CX35 and CHX35 coils and all Lennox air handlers are shipped with a factory installed TXV. In most cases, no change out of the valve is needed.

If a change out is required it will be listed in the "TXV SUBSTITUTIONS" table by size. The correct TXV must be ordered separately and field installed.

C35 coils - Replace the factory installed RFC orifice with the expansion valve listed.

CR33 and CH23 coils - Use the expansion valve listed.

AHRI STANDARD 210/240-2023

Standard Ratings relating to cooling or heating capacities shall be net values, including the effects of circulating-fan heat, but not including supplementary electric heat. Power input used for calculating efficiency shall be the Total Power.

Standard Ratings of units which do not have indoor air-circulating fans furnished as part of the model, i.e., Coil-only System, shall be established by subtracting from the total cooling capacity 1,505 Btu/h per 1,000 SCFM, and by adding the same amount to the heating capacity for non-mobile-home, non-Space Constrained units. Total Power for both heating and cooling shall be increased by 441 W per 1,000 SCFM of indoor air circulated.

TXV SUBSTITUTION

A general guide for replacing the factory installed TXV if the indoor unit (coil/air handler) is larger or smaller than the outdoor unit.

Outdoor Unit		Indoor Unit		TXV Furnished	TXV Replacement
Size	Tons	Size	Tons		
018	1.5	30/36	2.5/3	12J19	12J18
018	1.5	36	3	12J19	12J18
018	1.5	42	3.5	12J20	12J18
018	1.5	48	4	12J20	12J18
018	1.5	49	4	12J20	12J18
018	1.5	50/60	4/5	12J20	12J18
018	1.5	51/61	4/5	12J20	12J18
018	1.5	60	5	12J20	12J18
024	2	42	3.5	12J20	12J18
024	2	48	4	12J20	12J18
024	2	49	4	12J20	12J18
024	2	50/60	5	12J20	12J18
024	2	51/61	5	12J20	12J18
024	2	60	5	12J20	12J18
030	2.5	42	3.5	12J20	12J18
030	2.5	43	3.5	12J20	12J18
030	2.5	48	4	12J20	12J18
030	2.5	49	4	12J20	12J18
036	3	24	2	12J18	12J19
036	3	30	2.5	12J18	12J19
042	3.5	24	2	12J18	12J20
042	3.5	30	2.5	12J18	12J20
042	3.5	30/36	3	12J19	12J20
042	3.5	36	3	12J19	12J20
048	4	30/36	2.5/3	12J19	12J20
048	4	36	3	12J19	12J20

TXV Ranges:

12J18 - 1.5 to 2.5 ton systems - Use on 2.5 ton (030) and lower systems.

12J19 - 3 ton systems - Use down to 2 ton (024) systems.

12J20 - 3.5 to 5 ton systems - Use down to 3 ton (036) systems.

REVISIONS

Sections	Description of Change
Electrical Data	Updated MOCP, MCA, RLA and LRA.
Specifications	Refrigerant charge updated for EL16XC1-036-042-048.



Visit us at www.Lennox.com

For the latest technical information, www.LennoxPros.com

Contact us at 1-800-9-LENNOX

NOTE - Due to Lennox' ongoing commitment to quality, Specifications, Ratings and Dimensions subject to change without notice and without incurring liability. Improper installation, adjustment, alteration, service or maintenance can cause property damage or personal injury. Installation and service must be performed by a qualified installer and servicing agency.

©2023 Lennox Industries, Inc.