



**ML17XC1**  
**MERIT® Series**  
**R-410A - 60 Hz**

**RESIDENTIAL  
 PRODUCT SPECIFICATIONS**

Bulletin No. 211005  
 January 2023  
 Supersedes September 2022

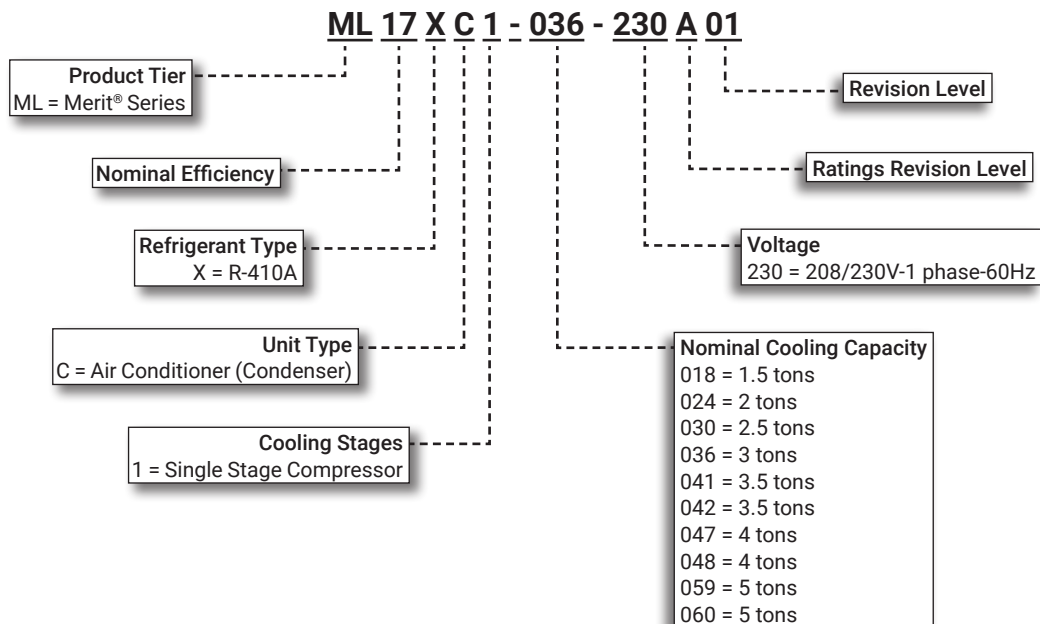


**MERIT®  
 SERIES**



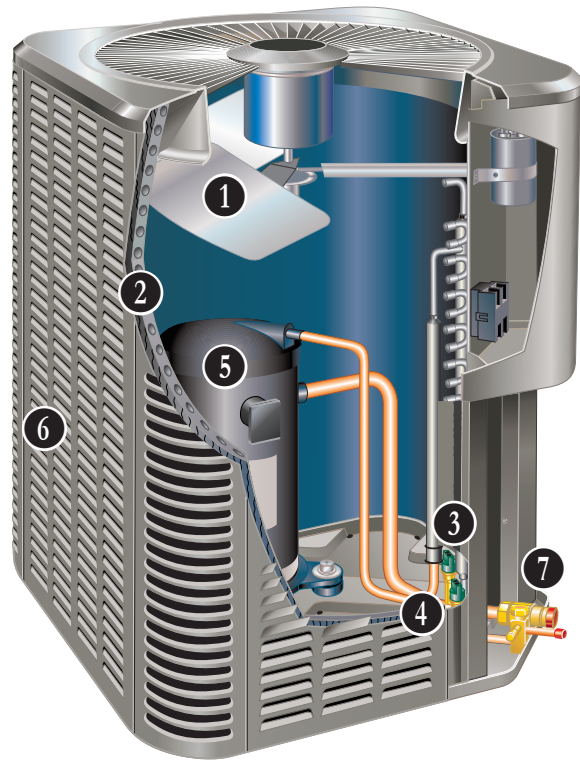
**SEER2 up to 17.4 / SEER up to 18.6**  
**1.5 to 5 Tons**  
**Cooling Capacity - 16,700 to 59,500 Btuh**

**MODEL NUMBER IDENTIFICATION**



## FEATURE HIGHLIGHTS

1. Outdoor Coil Fan
2. Quantum™ Coil
3. High Pressure Switch
4. Low Pressure Switch
5. Scroll Compressor
6. Heavy Gauge Steel Cabinet
7. Refrigerant Line Connections and Access



## CONTENTS

Approvals And Warranty . . . . .	3
Dimensions - Unit . . . . .	9
Electrical Data . . . . .	7
Features . . . . .	3
Field Wiring . . . . .	10
Installation Clearances . . . . .	10
Model Number Identification . . . . .	1
Optional Accessories - Order Separately . . . . .	7
Sound Data . . . . .	10
Specifications . . . . .	7
TXV Substitution . . . . .	11
TXV Usage . . . . .	11

## APPROVALS AND WARRANTY

### **APPROVALS**

- AHRI Standard 210/240-2023 certified
- AHRI Certified system match-ups and expanded ratings, visit [www.LennoxPros.com](http://www.LennoxPros.com)
- ENERGY STAR® Certified
- Sound rated to AHRI Standard 270-2008 test conditions
- Tested in Lennox' Research Laboratory environmental test room
- Rated According to U.S. Department of Energy (DOE) test procedures
- Unit and components ETL, NEC and CEC bonded for grounding to meet safety standards for servicing
- ETL certified (U.S. and Canada)
- ISO 9001 Registered Manufacturing Quality System

### **WARRANTY**

- Compressor:
  - Limited five years in residential installations
  - Limited five years in non-residential installations
- **All other covered components:**
  - Limited five years in residential installations
  - Limited one year in non-residential installations

**NOTE** - Refer to Lennox® Basic Limited Warranty at [www.Lennox.com](http://www.Lennox.com) for additional details.

## FEATURES

### **APPLICATIONS**

- 1.5 through 5 ton
- Sound levels as low as 73 dBA
- Single-phase power supply
- Vertical air discharge
- Applicable to indoor air handlers or gas furnaces with indoor add-on coils
- Shipped completely factory assembled, piped and wired

### **REFRIGERATION SYSTEM**

#### **R-410A Refrigerant**

- Non-chlorine, ozone friendly
- Unit is factory pre-charged

#### **1 Outdoor Coil Fan**

- Direct drive fan
- Vertical air discharge
- Totally enclosed fan motor
- PSC motor (018, 024, 030, 036, 042, 048 and 060 models)
- ECM motor (041, 047 and 059 models)
- Inherently protected
- Motor rain shield
- Louvered steel fan guard

#### **2 Quantum™ Coil**

- Lennox designed and fabricated coil
- Enhanced aluminum alloy tube/enhanced fin coil
- Superior corrosion resistance
- Ripple-edged aluminum fins
- Aluminum tube construction
- Lanced fins for maximum fin surface exposure
- Fin collars grip tubing for maximum contact area
- Flared shoulder tubing connections
- Factory tested under high pressure
- Entire coil is accessible for cleaning

#### **High Capacity Liquid Line Drier**

- Furnished with unit for field installation
- Approved for use with R-410A systems
- Traps any moisture or dirt that could contaminate the refrigerant system

#### **3 High Pressure Switch**

- Protects the system from high pressure conditions
- Automatic reset

#### **4 Low Pressure Switch**

- Shuts off unit if suction pressure falls below setting
- Provides loss of charge and freeze-up protection
- Automatic reset

## FEATURES

### REFRIGERATION SYSTEM (continued)

#### Optional Accessories

##### Expansion Valve Kits

- Field installed on certain indoor units
- See TXV Usage table
- Chatleff-style fitting

##### Freezestat

- Senses suction line temperature
- Cycles compressor off when suction line temperature falls below it's setpoint
- Opens at 29°F and closes at 58°F
- Installs on or near the discharge line of the evaporator or on the suction line

##### Refrigerant Line Kits

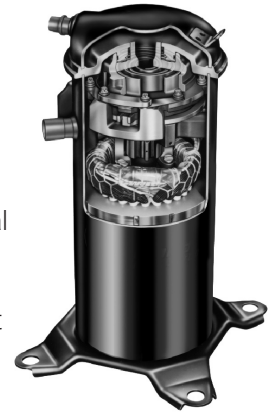
- Refrigerant lines are shipped refrigeration clean
- Lines are cleaned, dried, pressurized and sealed at factory
- Suction line fully insulated
- Lines are stubbed at both ends

**NOTE** - Not available for 059-060 models. Must be field fabricated.

### COMPRESSOR

#### 5 Scroll Compressor

- High efficiency with uniform suction flow
- Constant discharge flow, high volumetric efficiency and quiet operation
- Low gas pulses during compression reduces operational sound levels
- Compressor motor is internally protected from excessive current and temperature
- Compressor is installed in the unit on resilient rubber mounts for vibration free operation



#### Scroll Compressor Operation

- Two involute spiral scrolls matched together generate a series of crescent-shaped gas pockets between them
- During compression, one scroll remains stationary while the other scroll orbits around it
- Gas is drawn into the outer pocket, the pocket is sealed as the scroll rotates
- As the spiral movement continues, gas pockets are pushed to the center of the scrolls. Volume between the pockets is simultaneously reduced
- When the pocket reaches the center, gas is now at high pressure and is forced out of a port located in the center of the fixed scrolls
- During compression, several pockets are compressed simultaneously resulting in a smooth continuous compression cycle
- Continuous flank contact, maintained by centrifugal force, minimizes gas leakage and maximizes efficiency
- Compressor is tolerant to the effects of slugging and contaminants. If this occurs, scrolls separate, allowing liquid or contaminants to be worked toward the center and discharged

#### Compressor Crankcase Heater (041, 047, 048, 059 and 060 models)

- Protects against refrigerant migration that can occur during low ambient operation or during extended off cycles

#### Optional Accessories

#### Compressor Crankcase Heater (018 through 036 models)

- Protects against refrigerant migration that can occur during low ambient operation or during extended off cycles

#### Compressor Sound Cover

- Reinforced vinyl compressor cover
- 1-1/2 inch thick batt fiberglass insulation
- All open edges are sealed with a one-inch wide hook and loop fastening tape

## FEATURES

### COMPRESSOR (continued)

#### Optional Accessories (continued)

##### Compressor Hard Start Kit

- Single-phase units are equipped with a PSC compressor motor
- This type of motor normally doesn't need a potential relay and start capacitor
- For conditions such as low voltage kit may be required to increase the compressor starting torque

##### Compressor Low Ambient Cut-Off Switch

- Non-adjustable switch (low ambient cut-out) prevents compressor operation when outdoor temperature is below 35°F

##### Compressor Time-Off Control

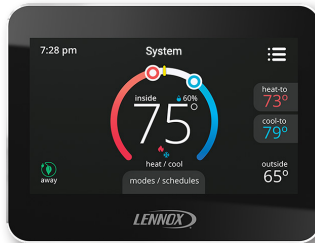
- Kit prevents compressor short-cycling and allows time for suction and discharge pressure to equalize.
- Permits compressor start-up in an unloaded condition.
- Automatic reset with 5 minute delay between compressor shut-off and start-up

### CONTROLS

#### Optional Accessories

##### M30 Smart Thermostat

- Wi-Fi-enabled, electronic 7-day, universal, multi-stage, programmable, touchscreen thermostat
- 4 Heat/2 Cool
- Auto-changeover
- Dual-fuel control with optional outdoor sensor
- Controls dehumidification during cooling mode and humidification during heating mode
- Offers enhanced capabilities including humidification / dehumidification / dewpoint measurement and control, Humiditrol® control, and equipment maintenance reminders
- Easy to read 4.3 in. color touchscreen (measured diagonally)
- LCD display with backlight shows the current and set temperature, time, inside relative humidity, system status (operating mode and schedules) and outside temperature (optional outdoor sensor required)
- Smooth Setback Recovery starts system early to achieve setpoint at start of program period
- Compressor short-cycle protection (5 minutes)
- Up to four separate schedules are available plus Schedule IQ™
- One-Touch Away Mode - A quick and easy way to set the cooling and heating setpoints while away
- Smart Away™ - Uses geo-fencing technology to determine when the homeowner is within a predetermined distance from the home to operate the system when leaving, away and arriving



- Wi-Fi remote monitoring and adjustment through a home wireless network for desktop PCs, laptops and apps for smartphones or tablets
- Smart home automation compatible with Amazon Alexa®, Google Assistant and IFTTT
- Service Dashboard features online real-time monitoring of installed Lennox® Communicating thermostats

**NOTE** - See the Lennox® M30 Smart Thermostat Product Specifications bulletin in the Controls section for more information.

##### Remote Outdoor Temperature Sensor

- Used with the Lennox® M30 Smart Wi-Fi Thermostat
- Outdoor sensor allows thermostat to display outdoor temperature

**NOTE** - Sensor is required for the Enhanced Dehumidification Accessory (EDA).



##### Thermostat

- Thermostat is not furnished with unit
- Lennox Price Book for selection

##### Indoor Blower Off Delay Relay

- Delays the indoor blower-off time during the cooling cycle

##### Low Ambient Kit

- Air conditioners can operate down to 45°F outdoor air temperature without additional controls
- Allows unit to operate properly down to 30°F

**NOTE** - Crankcase heater and freestat should be installed on compressors equipped with a low ambient kit.

**NOTE** - A compressor lock-out thermostat should be added to terminate compressor operation below recommended operation conditions.

## FEATURES

### **CABINET**

- 6 • Heavy gauge steel construction
- Louvered heavy gauge steel panels surround unit on all four sides
- Five station metal wash process
- Powder paint finish
- Control box is conveniently located with all controls factory wired
- Corner patch plate allows access to compressor components
- Drainage holes are provided in base section for moisture removal

#### **PermaGuard™ Unit Base**

- Durable zinc-coated base section resists rust and corrosion

### **7 Refrigerant Line Connections, Electrical Inlets, Service Valves**

- Sweat connection suction and liquid lines
- Located on corner of unit cabinet
- Suction valve can be fully shut off, while liquid valve may be front seated to manage refrigerant charge while servicing system
- Refrigerant line connections and field wiring inlets are located in one central area of the cabinet
- See dimension drawing

### **Optional Accessories**

#### **Unit Stand-Off Kit**

- Black high density polyethylene feet raise unit off of mounting surface
- Four feet are furnished per order number

## SPECIFICATIONS

General Data		Model No.	ML17XC1-018	ML17XC1-024	ML17XC1-030	ML17XC1-036	ML17XC1-041
Nominal Tonnage			1.5	2	2.5	3	3.5
Indoor Unit Expansion Valve (TXV) (If needed)			<b>12J18</b>	<b>12J18</b>	<b>12J18</b>	<b>12J19</b>	<b>12J20</b>
RFCIV Metering Orifice Usage			0.051	0.059	0.067	0.072	N/A
Connections (sweat)	Liquid line OD - in.		3/8	3/8	3/8	3/8	3/8
	Suction line OD - in.		3/4	3/4	3/4	7/8	7/8
<sup>1</sup> Refrigerant (R-410A) furnished			4 lbs. 8 oz.	5 lbs. 2 oz.	6 lbs. 8 oz.	8 lbs. 8 oz.	8 lbs. 12 oz.
Outdoor Coil	Net face area	Outer coil	16.33	21.00	16.33	21.00	22.17
		sq. ft. Inner coil	- - -	- - -	15.75	20.25	21.33
		Tube diameter - in.	5/16	5/16	5/16	5/16	5/16
		Number of rows	1	1	2	2	2
		Fins per inch	26	26	22	22	22
Outdoor Fan	Diameter - in.		22	22	22	22	26
	Number of blades		2	3	3	3	3
	Motor hp		1/6	1/8	1/8	1/6	1/3
	Cfm		2610	2990	2820	3040	3920
	Rpm		825	825	825	825	825
	Watts		160	160	160	190	180
Shipping Data - lbs. 1 package			155	170	180	200	225

## ELECTRICAL DATA

Line voltage data - 60 Hz - 1ph		208/230V	208/230V	208/230V	208/230V	208/230V
<sup>2</sup> Maximum overcurrent protection (MOCP) amps		15	20	25	30	35
<sup>3</sup> Minimum circuit ampacity (MCA)		12	15.4	18.4	17.4	21.9
Compressor	Rated load amps	8.8	11.7	14.1	13.1	15.4
	Locked rotor amps	42.6	59.5	71.3	83.1	92.1
Condenser Fan Motor	Full load amps	1	0.74	0.74	1	2.6
	Locked rotor amps	1.9	1.65	1.65	1.9	3.2

## CONTROLS - ORDER SEPARATELY

M30 Smart Thermostat	15Z69	•	•	•	•	•
Remote Outdoor Temperature Sensor	X2658	•	•	•	•	•

## OPTIONAL ACCESSORIES - ORDER SEPARATELY

Compressor Crankcase Heater	93M04	•	•	•	•	
Compressor Hard Start Kit	Copeland	10J42	•	•	•	
	LG	88M91	•	•	•	•
Compressor Low Ambient Cut-Off Switch	45F08	•	•	•	•	•
Compressor Sound Cover	18J42	•	•	•	•	•
Compressor Time-Off Control	47J27	•	•	•	•	•
Freezestat	3/8 in. tubing	93G35	•	•	•	•
	5/8 in. tubing	50A93	•	•	•	•
Indoor Blower Off Delay Relay	58M81	•	•	•	•	•
Low Ambient Kit (Fan Cycling)	34M72	•	•	•	•	•
Refrigerant Line Sets (Liq. x Suct. OD x Insulation Thickness - Length)	3/8 x 3/4 x 3/8 - 20 ft.	89J56				
	3/8 x 3/4 x 3/8 - 30 ft.	89J57				
	3/8 x 3/4 x 3/8 - 40 ft.	89J58	•	•	•	
	3/8 x 3/4 x 3/8 - 50 ft.	89J59				
	3/8 x 7/8 x 3/8 - 30 ft.	89J60				
	3/8 x 7/8 x 3/8 - 40 ft.	89J61				•
	3/8 x 7/8 x 3/8 - 50 ft.	89J62				•
Unit Stand-Off Kit	94J45	•	•	•	•	•

NOTE - Extremes of operating range are plus 10% and minus 5% of line voltage.

<sup>1</sup> Refrigerant charge sufficient for 15 ft. length of refrigerant lines. For longer line set requirements see the Installation Instructions for information about line set length and additional refrigerant charge required.

<sup>2</sup> HACR type circuit breaker or fuse.

<sup>3</sup> Refer to National or Canadian Electrical Code manual to determine wire, fuse and disconnect size requirements.

<sup>4</sup> Crankcase Heater and Freezestat are recommended with Low Ambient Kit.



## SPECIFICATIONS

General Data		Model No.	ML17XC1-042	ML17XC1-047	ML17XC1-048	ML17XC1-059	ML17XC1-060
Nominal Tonnage			3.5	4	4	5	5
Indoor Unit Expansion Valve (TXV) (If needed)			<b>12J20</b>	<b>12J20</b>	<b>12J20</b>	<b>12J20</b>	<b>12J20</b>
RFCIV Metering Orifice Usage			0.081	---	0.084	---	0.092
Connections (sweat)	Liquid line OD - in.		3/8	3/8	3/8	3/8	3/8
	Suction line OD - in.		7/8	7/8	7/8	1-1/8	1-1/8
<sup>1</sup> Refrigerant (R-410A) furnished			9 lbs. 2 oz.	9 lbs. 13 oz.	9 lbs. 8 oz.	11 lbs. 14 oz.	12 lbs. 8 oz.
Outdoor Coil	Net face area	Outer coil	22.17	22.17	24.93	29.09	29.09
		sq. ft. Inner coil	21.33	21.33	24.13	28.16	28.16
		Tube diameter - in.	5/16	5/16	5/16	5/16	5/16
		Number of rows	2	2	2	2	2
	Fins per inch		22	22	22	22	22
Outdoor Fan		Diameter - in.	26	26	22	26	26
		Number of blades	3	3	4	4	4
		Motor hp	1/4	1/3	1/4	1/3	1/4
		Cfm	4060	3920	3700	4050	4180
		Rpm	825	825	825	825	825
		Watts	260	180	290	220	290
Shipping Data - lbs. 1 package			225	225	235	260	260

## ELECTRICAL DATA

Line voltage data - 60 Hz - 1ph			208/230V	208/230V	208/230V	208/230V	208/230V
<sup>2</sup> Maximum overcurrent protection (MOCP) amps			35	35	50	50	50
<sup>3</sup> Minimum circuit ampacity (MCA)			24.6	27.5	33	35.5	31.3
Compressor	Rated load amps		18.6	19.9	25	26.3	23.9
	Locked rotor amps		110	110	120	140.6	124.5
Condenser Fan Motor	Full load amps		1.4	2.6	1.7	2.6	1.4
	Locked rotor amps		3.2	---	3.2	---	3.2

## CONTROLS - ORDER SEPARATELY

M30 Smart Thermostat	<b>15Z69</b>	•	•	•	•	•
Remote Outdoor Temperature Sensor	<b>X2658</b>	•	•	•	•	•

## OPTIONAL ACCESSORIES - ORDER SEPARATELY

Compressor Hard Start Kit	Copeland	<b>10J42</b>	•	•	•	•	
	LG	<b>88M91</b>	•	•	•	•	•
Compressor Low Ambient Cut-Off Switch		<b>45F08</b>	•	•	•	•	•
Compressor Sound Cover		<b>18J42</b>	•	•	•	•	•
Compressor Time-Off Control		<b>47J27</b>	•	•	•	•	•
Freezestat	3/8 in. tubing	<b>93G35</b>	•	•	•	•	•
	5/8 in. tubing	<b>50A93</b>	•	•	•	•	•
Indoor Blower Off Delay Relay		<b>58M81</b>	•	•	•	•	•
Low Ambient Kit (Fan Cycling)		<b>34M72</b>	•	•	•	•	•
Refrigerant Line Sets (Liq. x Suct. OD x Insulation Thickness - Length)	3/8 x 7/8 x 3/8 - 30 ft.	<b>89J60</b>					
	3/8 x 7/8 x 3/8 - 40 ft.	<b>89J61</b>	•	•	•		
	3/8 x 7/8 x 3/8 - 50 ft.	<b>89J62</b>					
	3/8 x 1-1/8 x 3/8 - 30 ft.	<b>X0570</b>				•	•
	3/8 x 1-1/8 x 3/8 - 50 ft.	<b>73P91</b>					
Unit Stand-Off Kit		<b>94J45</b>	•	•	•	•	•

NOTE - Extremes of operating range are plus 10% and minus 5% of line voltage.

<sup>1</sup> Refrigerant charge sufficient for 15 ft. length of refrigerant lines. For longer line set requirements see the Installation Instructions for information about line set length and additional refrigerant charge required.

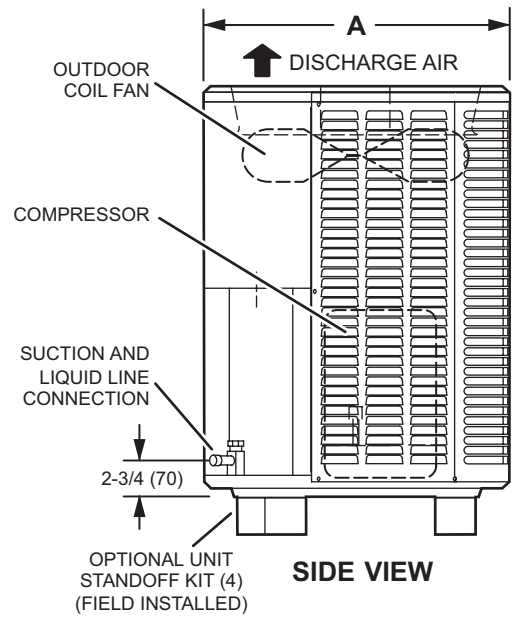
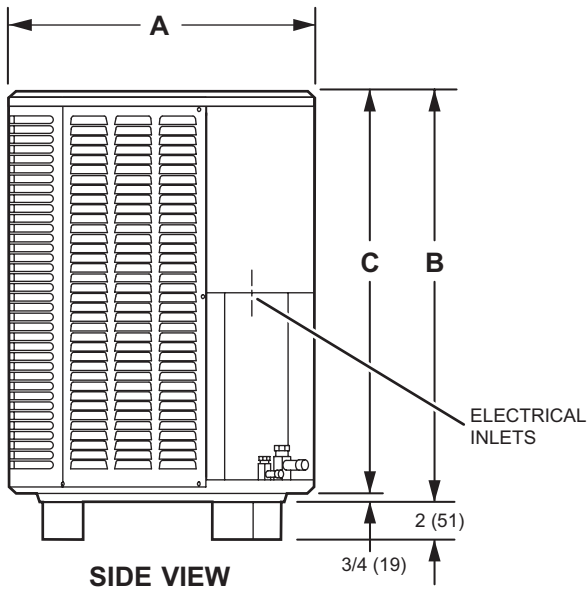
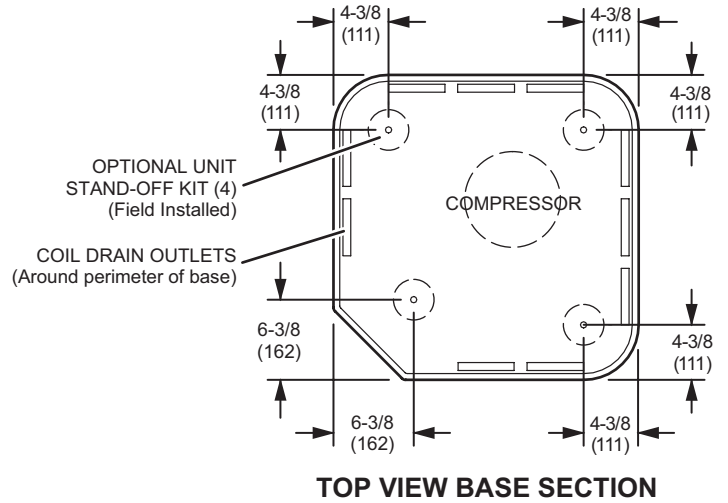
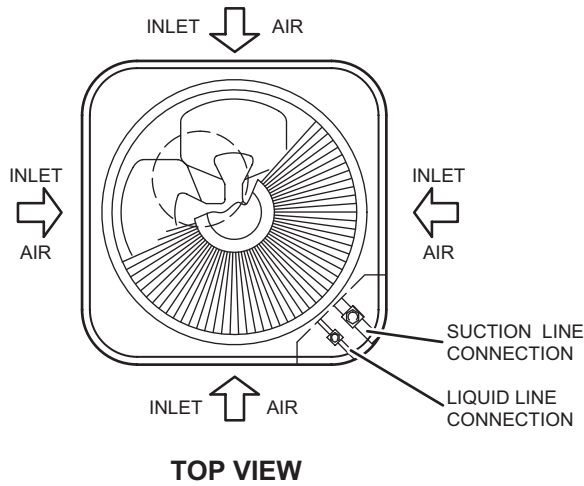
<sup>2</sup> HACR type circuit breaker or fuse.

<sup>3</sup> Refer to National or Canadian Electrical Code manual to determine wire, fuse and disconnect size requirements.

<sup>4</sup> Crankcase Heater and Freezestat are recommended with Low Ambient Kit.

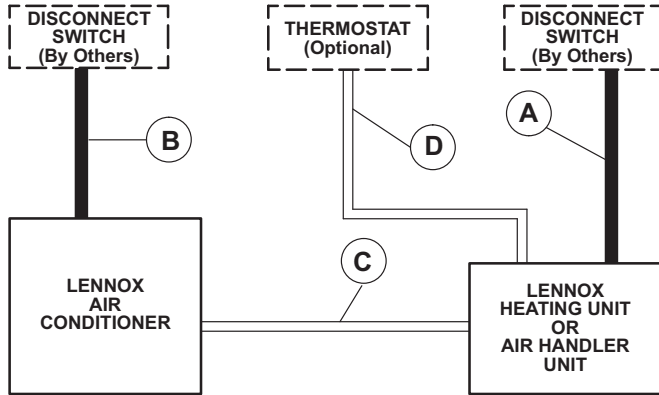


# DIMENSIONS - UNIT



Model	A		B		C	
	inches	mm	inches	mm	inches	mm
018	28-1/4	718	29-1/4	743	28-1/2	724
024	28-1/4	718	37-1/4	946	36-1/2	927
030	28-1/4	718	29-1/4	743	28-1/2	724
036	28-1/4	718	37-1/4	946	36-1/2	927
041	32-1/4	819	33-1/4	845	32-1/2	927
042	32-1/4	819	33-1/4	845	32-1/2	826
047	32-1/4	819	33-1/4	845	32-1/2	826
048	28-1/4	718	43-1/4	1099	42-1/2	1080
059	32-1/4	819	43-1/4	1099	42-1/2	1080
060	32-1/4	819	43-1/4	1099	42-1/2	1080

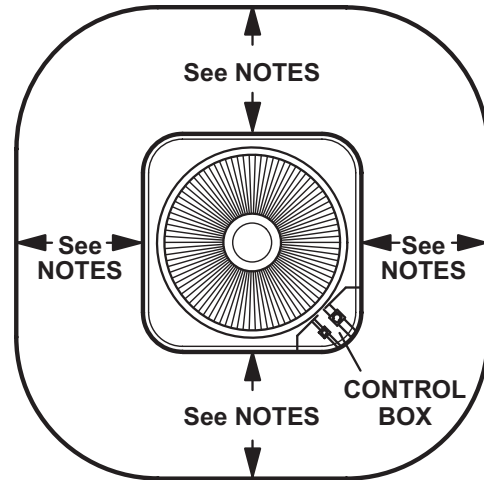
## FIELD WIRING



- A - Two Wire Power (not furnished). See Indoor Unit Electrical Data
- B - Two Wire Power (not furnished). See Electrical Data
- C - Four Wire Low Voltage (not furnished). 18 ga. minimum
- D - Five Wire Low Voltage (not furnished). 18 ga. minimum

All wiring must conform to NEC or CEC and local electrical codes.

## INSTALLATION CLEARANCES



### NOTES:

- Service clearance of 30 in. (762 mm) must be maintained on one of the sides adjacent to the control box.
- Clearance to one of the other three sides must be 36 in. (914 mm)
- Clearance to one of the remaining two sides may be 12 in. (305 mm) and the final side may be 6 in. (152 mm).
- A clearance of 24 in. must be maintained between two units.
- 48 in. (1219 mm) clearance required on top of unit.

## SOUND DATA

<sup>1</sup> Model	Octave Band Sound Power Levels dBA, re 10 <sup>-12</sup> Watts Center Frequency - HZ							<sup>1</sup> Sound Rating Number (dBA)	<sup>2</sup> Estimated Sound Pressure Level at Distance From Unit (dBA at distance in ft.)				
	125	250	500	1000	2000	4000	8000		3	5	10	15	50
018	55.5	64.5	69	67.5	65	61	56	73	66	61	55	52	41
024	61.5	64	70	69.5	66	62.5	54.5	75	68	63	57	54	43
030	60	67	72	70.5	67.5	62.5	56	76	69	64	58	55	44
036	58	67.5	72.5	71.5	66.5	62	54.5	76	69	64	58	55	44
041	63	66.5	69	69.5	66.5	61	54	75	68	63	57	54	43
042	59.5	67.5	71.5	70	69	63.5	57.5	76	69	64	58	55	44
047	61	66	72	71	66.5	63	63.5	76	69	64	58	55	44
048	60	70.5	73.5	72.5	70.5	67	60.5	78	71	66	60	57	46
059	63	69.5	73.5	71.5	69.5	64.5	56.5	78	71	66	60	57	46
060	63.5	69.5	75	75	73	68	62.5	80	73	68	62	59	48

NOTE - the octave sound power data does not include tonal correction.

<sup>1</sup> Tested according to AHRI Standard 270-2008 test conditions.

<sup>2</sup> Estimated sound pressure level at distance based on AHRI Standard 275-2010 method for equipment located on the ground, roof, or on side of building wall with no adjacent reflective surface within 9.8 feet. Sound pressure levels will increase based on changes to assumptions. For other applications, refer to AHRI Standard 275.

## TXV USAGE

Use this table for C35, CH23 and CR33 Field Installed TXV Match-Ups.

Outdoor Unit	Order Number
018	12J18
024	12J18
030	12J18
036	12J19
041	12J20
042	12J20
047	12J20
048	12J20
059	12J20
060	12J20

CX35 and CHX35 coils and all Lennox air handlers are shipped with a factory installed TXV. In most cases, no change out of the valve is needed.

If a change out is required it will be listed in the "TXV SUBSTITUTIONS" table by size. The correct TXV must be ordered separately and field installed.

C35 coils - Replace the factory installed RFC orifice with the expansion valve listed.

CR33 and CH23 coils - Use the expansion valve listed.

## AHRI STANDARD 210/240-2023

Standard Ratings relating to cooling or heating capacities shall be net values, including the effects of circulating-fan heat, but not including supplementary electric heat. Power input used for calculating efficiency shall be the Total Power.

Standard Ratings of units which do not have indoor air-circulating fans furnished as part of the model, i.e., Coil-only System, shall be established by subtracting from the total cooling capacity 1,505 Btu/h per 1,000 SCFM, and by adding the same amount to the heating capacity for non-mobile-home, non-Space Constrained units. Total Power for both heating and cooling shall be increased by 441 W per 1,000 SCFM of indoor air circulated.

## TXV SUBSTITUTION

A general guide for replacing the factory installed TXV if the indoor unit (coil/air handler) is larger or smaller than the outdoor unit.

Outdoor Unit		Indoor Unit		TXV Furnished	TXV Replacement
Size	Tons	Size	Tons		
018	1.5	30/36	2.5/3	12J19	12J18
018	1.5	36	3	12J19	12J18
018	1.5	42	3.5	12J20	12J18
018	1.5	48	4	12J20	12J18
018	1.5	49	4	12J20	12J18
018	1.5	50/60	4/5	12J20	12J18
018	1.5	51/61	4/5	12J20	12J18
018	1.5	60	5	12J20	12J18
024	2	42	3.5	12J20	12J18
024	2	48	4	12J20	12J18
024	2	49	4	12J20	12J18
024	2	50/60	5	12J20	12J18
024	2	51/61	5	12J20	12J18
024	2	60	5	12J20	12J18
030	2.5	42	3.5	12J20	12J18
030	2.5	43	3.5	12J20	12J18
030	2.5	48	4	12J20	12J18
030	2.5	49	4	12J20	12J18
036	3	24	2	12J18	12J19
036	3	30	2.5	12J18	12J19
042	3.5	24	2	12J18	12J20
042	3.5	30	2.5	12J18	12J20
042	3.5	30/36	3	12J19	12J20
042	3.5	36	3	12J19	12J20
048	4	30/36	2.5/3	12J19	12J20
048	4	36	3	12J19	12J20

### TXV Ranges:

**12J18** - 1.5 to 2.5 ton systems - Use on 2.5 ton (030) and lower systems.

**12J19** - 3 ton systems - Use down to 2 ton (024) systems.

**12J20** - 3.5 to 5 ton systems - Use down to 3 ton (036) systems.

## REVISIONS

Sections	Description of Change
Optional Accessories	Updated Line Sets available.
Specifications	Removed RFC orifice sizes. Removed discontinued models.
TXV Usage	Removed references to RFC orifices.



Visit us at [www.Lennox.com](http://www.Lennox.com)

For the latest technical information, [www.LennoxPros.com](http://www.LennoxPros.com)

Contact us at 1-800-9-LENNOX

NOTE - Due to Lennox' ongoing commitment to quality, Specifications, Ratings and Dimensions subject to change without notice and without incurring liability. Improper installation, adjustment, alteration, service or maintenance can cause property damage or personal injury. Installation and service must be performed by a qualified installer and servicing agency.

©2023 Lennox Industries, Inc.